

CROSSMAX SLR DISC 09 Center-Lock



USE: use only on a Cross Country MTB fitted with disc brakes. Any other use (such as on a tandem, road bike, cyclo-cross bike, free-ride or downhill bike...) is highly inadvisable, is the sole responsibility of the user and voids the Mavic warranty.

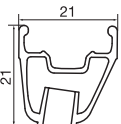


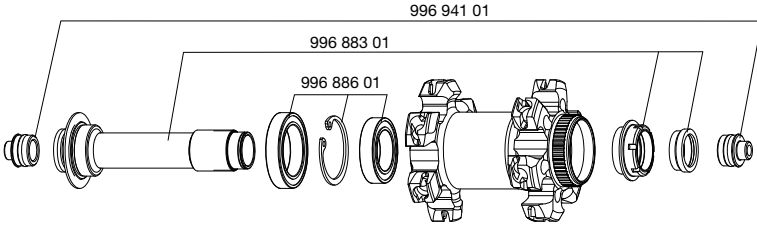
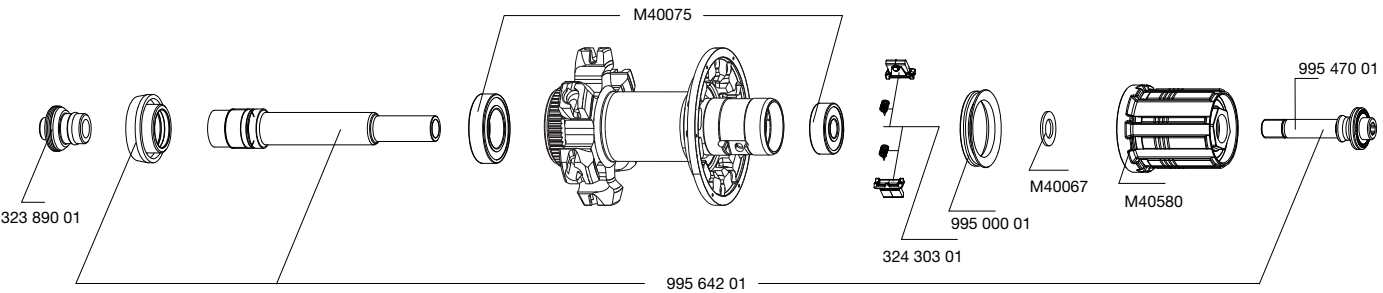

Recommended maximum weight of the cyclist and his equipment: 85 kg.

WHEEL WEIGHTS WITHOUT QUICK-RELEASE SKEWER

Front: 690 g
Rear: 820 g

WHEEL REFERENCES

Front: 996 499 10
Rear: 996 500 13
Pair: 996 501 14

RIMS	REFERENCES: Front: 996 873 10 Rear: 996 873 13	
	Ø VALVE HOLE  Ø: 6.5 mm Length.: ≥ 32 mm	RECOMMENDED TIRE WIDTH  Dimensions: Ø 26" ETRTO 559 x 17C compatible and Tubeless UST. Recommended tire width: 1.0" to 2.1"
	When replacing the front rim: 1. With the valve hole near you, the raised indicator bump must be to the right of the valve hole 2. The spoke in the first hole to the right of the valve hole is a non-braking spoke and should be inserted in the disc side. When replacing the rear rim: 1. With the valve hole near you, the two raised indicator bumps must be to the right of the valve hole 2. The spoke in the first hole to the right of the valve hole should be inserted on the drive side in a marked hole on the hub	
HUBS	MAINTENANCE: Clean with a dry cloth or soap and water if necessary. Do not use a high-pressure washer.	
		
		
WHEEL BUILDING	REFERENCES AND LENGTHS:	Front: 995 376 01, length 261 mm, (per 12 + 3 red, integrated nipples) Rear drive side: 995 377 01, length 248 mm, (per 12 + 1 red, integrated nipples) Rear non-drive side: 996 874 01, length 263 mm, (per 12 + 2 red, integrated nipples)
FEATURES: Black Zicral double butted straight pull spokes (including two decorated per wheel) with integrated, self-locking M7 aluminum spoke nipples.	LACING PATTERN: Front: crossed 2 on both sides Rear: Isopulse	 TENSION: Front disc side: 120 to 140 kg Rear drive side: 120 to 140 kg
ACCESSORIES	WHEELS SUPPLIED WITH:	MAINTENANCE
<ul style="list-style-type: none"> • BX 601 Titanium front quick-release skewer 995 388 01 • BX 601 Titanium rear quick-release skewer 995 389 01 • Computer magnet M40540 (with front wheel) • Spoke wrench M40494 (with rear wheel) • Axle reducers 15=>9 mm 996 941 01 (with front wheel) • UST valves 995 282 01 • Free play bearing adjustment wrench M40123 (with rear wheel) • User guide 	<ul style="list-style-type: none"> • Front hub assembly diameter conversion • Replacing the front axle and bearings • Replacing the rear axle • Maintaining and replacing the free wheel mechanism • Replacing the rear bearings • Replacing a spoke • Replacing the front rim • Replacing the rear rim 	<ul style="list-style-type: none"> • See page 25 • See page 26 • See 2007 TM, page 20 • See 2007 TM, page 21 • See 2003 TM, page 22 • See 2003 TM, page 24 • See page 37 • See 2006 TM, page 17
To consult this information quickly in a practical manner, refer to www.tech-mavic.com		