

CROSSMAX ST DISC 10 - LEFTY



USE: use only on a Cross-country or Cross Mountain MTB fitted with disc brakes. Any other use (such as on a tandem, road bike, cyclo-cross bike, free-ride or downhill bike...) is highly inadvisable, is the sole responsibility of the user and voids the Mavic warranty.
Recommended maximum weight of the cyclist and equipment: 100 kg

WHEEL WEIGHT WITHOUT QUICK-RELEASE SKEWER

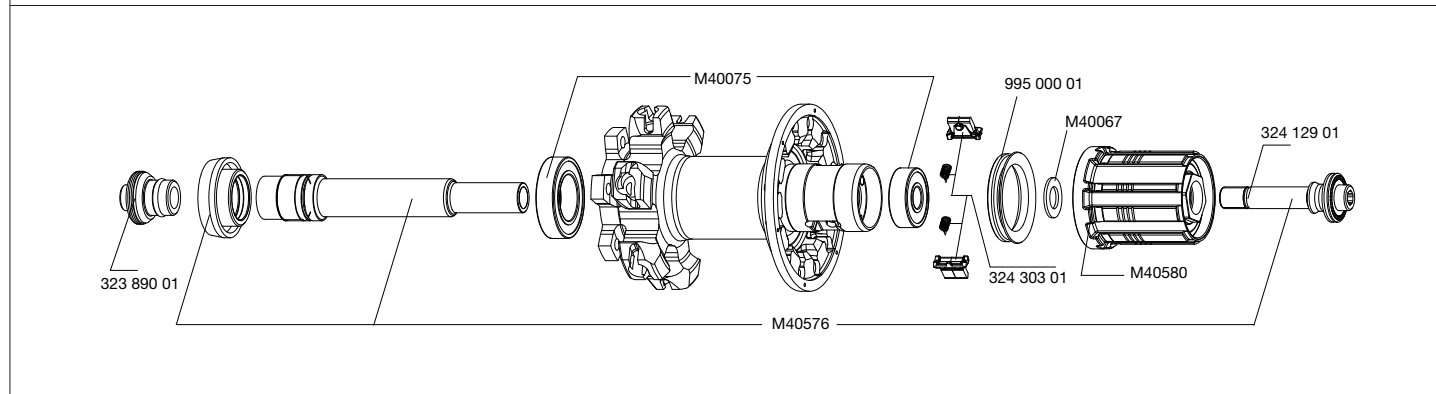
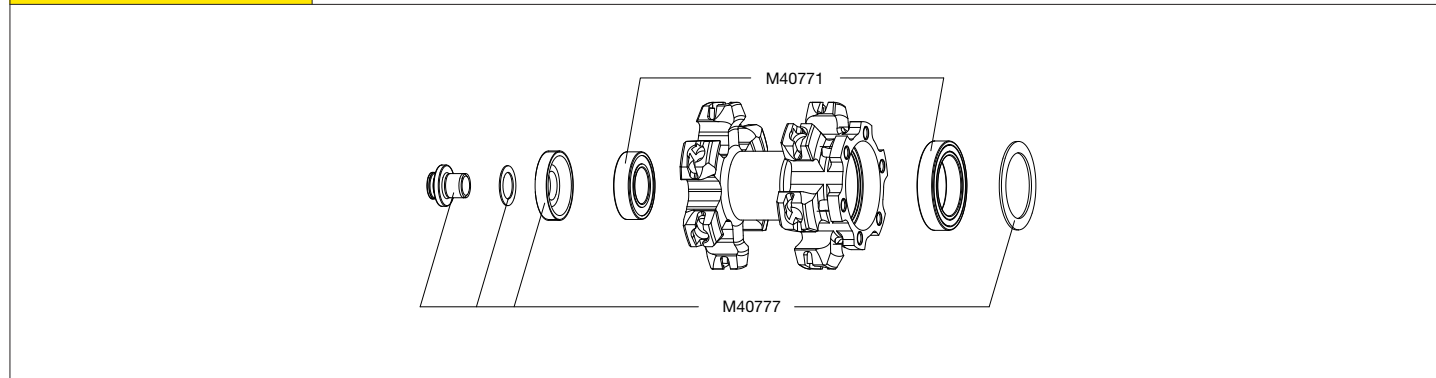
Front: 745 g
Rear: 880 g

WHEEL REFERENCES

Front: 105 408 10
Rear: 105 351 13
Pair: 105 409 14

RIMS	SALES REFERENCES
	<p>Front: 108 472 10 Rear: 108 472 13</p>
	<div style="display: flex; justify-content: space-between;"> <div style="width: 45%;"> <p>Ø VALVE HOLE Ø: 6.5 mm Length: ≥ 32 mm</p> </div> <div style="width: 45%;"> <p>RECOMMENDED TIRE WIDTH Dimensions: Ø 26" ETRTO 559 x 19C compatible and Tubeless UST Recommended tire width: 1.5 to 2.3</p> </div> </div> <p>When replacing the front rim: 1. With the valve hole near you, the raised indicator bump must be to the left of the valve hole. 2. The spoke in the first hole to the right of the valve hole is a non-braking spoke and should be introduced into the disc side.</p> <p>When replacing the rear rim: 1. With the valve hole near you, the two raised indicator bumps must be to the right of the valve hole. 2. The spoke in the first hole to the right of the valve hole should be introduced into the drive side in a marked hole on the hub.</p>

HUBS	MAINTENANCE: Clean with a dry cloth or soapy water if necessary. Do not use a high-pressure washer.
------	---



WHEEL BUILDING	REFERENCES AND LENGTHS
	<p>Front: 995 401 01, length 261 mm (per 12 + 2 decorated, integrated nipples) Rear drive side: 995 402 01, length 248 mm (per 12, integrated nipples) Rear non-drive side: 995 403 01, length 263 mm (per 12 + 2 decorated, integrated nipples)</p>

<p>FEATURES: Black round, straight pull Zicral spokes (with one decorated per wheel) with integrated, self-locking M7 aluminum spoke nipples</p>	<p>LACING PATTERN: Front: 2-cross lacing on both sides Rear: Isopulse</p>	<p>TENSION: Front disc side: 120 to 140 kg Rear drive side: 120 to 140 kg</p>
---	--	--

ACCESSORIES	WHEELS SUPPLIED WITH:	MAINTENANCE
<ul style="list-style-type: none"> • BX 601 rear quick-release M40141 • Removable UST valve 995 282 01 • Computer magnet M40540 (with front wheel) • M7 spoke wrench M40494 (with rear wheel) • Anti-ejection plugs 996 065 01 (with rear wheel) • Free play bearing adjustment wrench M40123 (with rear wheel) • User guide and warranty card 		<p>Fitting and removing the front wheel on the fork Replacing the front axle and bearings Replacing the rear axle Maintaining and replacing the free wheel mechanism Replacing the rear bearings Replacing a spoke Replacing the front rim Replacing the rear rim</p> <p style="text-align: right;">See 2004 TM, page 18 See 2009 TM, page 26 See 2007 TM, page 20 See 2007 TM, page 21 See 2003 TM, page 22 See 2003 TM, page 24 See 2007 TM, page 22 See 2006 TM, page 17</p>
<p>Refer to the website for quick and convenient access to information: www.tech-mavic.com</p>		