

# CROSSRIDE UB 11

**Use:** use only on a Cross-country or Cross-mountain MTB fitted with disc brakes. Any other use (such as on a tandem, road bike, cyclo-cross bike, free-ride or downhill bike...) is highly inadvisable, is the sole responsibility of the user and voids the Mavic warranty.  
Recommended maximum weight of the cyclist and equipment: 100 kg.

## WHEEL WEIGHT WITHOUT QUICK-RELEASE SKEWER

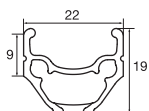
Front: 780 g  
Rear: 920 g

## WHEEL REFERENCES

Front: 117 792 10  
Rear: 117 793 13  
Pair: 117 794 14

## RIMS

**SALES REFERENCES:** Front and rear: 120 218 15



**Ø VALVE HOLE**  
Ø: 8.5 mm with 6.5 mm valve adapter  
Length: ≥ 32 mm

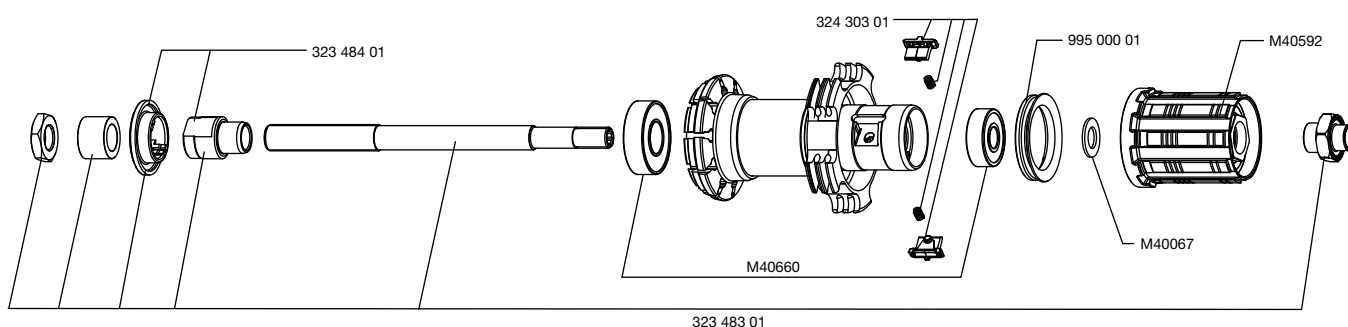
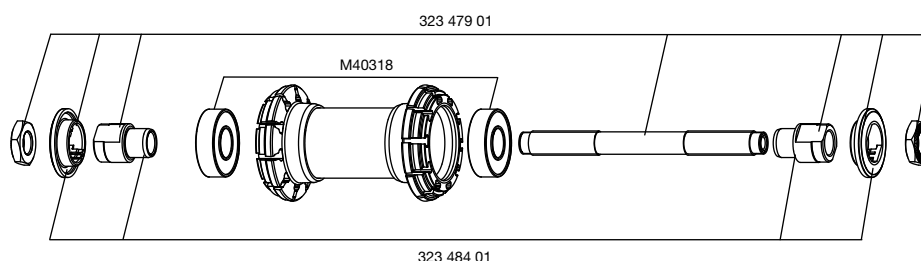


### RECOMMENDED TIRE WIDTH AND PRESSURE

Dimensions:  
Ø 26"  
ETRTO 559 x 17C  
Recommended tire width: 1.5 to 2.1

## HUBS

**MAINTENANCE:** Clean with a dry cloth or soapy water if necessary. Do not use a high-pressure washer.



As the front hub is made up of three parts and the rear hub of two parts, maintenance operations on the hubs (replacing the axle or bearings) must always be carried out on the assembled wheel (hub, rim and spokes assembled).

## WHEEL BUILDING

### REFERENCES AND LENGTHS:

Front and rear non-drive side: 996 069 01, length 253 mm (per 10, with nipples)  
Drive side: 996 070 01, length 276 mm (per 10, with nipples)

### FEATURES:

Black steel bladed straight pull spokes with Self-Lock system and conventional spoke nipples

### LACING PATTERN:

Front: radial  
Rear: 2-crossed drive side and radial non-drive side

### TENSION:

Front disc side: 100 to 120 kg  
Rear drive side: 120 to 140 kg

## ACCESSORIES

### WHEELS SUPPLIED WITH:

- BR 101 front quick release: M40350
- BR 101 rear quick release: M40351
- Rim tape 559x20x0.6
- Wheel user guide

## MAINTENANCE

Replacing the front axle and bearings  
Replacing the rear axle  
Maintaining and replacing the free wheel mechanism  
Replacing the rear bearings  
Replacing a spoke  
Replacing the front rim  
Replacing the rear rim

See 2004 TM, page 19  
See 2004 TM, page 20  
See 2004 TM, page 21  
See 2004 TM, page 22  
See 2008 TM, page 25  
See 2008 TM, page 25  
See 2008 TM, page 26

Refer to the website for quick and convenient access to information: [www.tech-mavic.com](http://www.tech-mavic.com)