

# ELLIPSE 11

**Use: for track bike use only.** Any other use (such as on a road bike, tandem, cyclo-cross bike, or off-road use...) is highly inadvisable, is the sole responsibility of the user and voids the Mavic warranty.  
Recommended maximum weight of the cyclist and equipment: 100 kg.

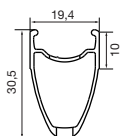
## WHEEL WEIGHT WITHOUT FIXING NUTS

Front 905 g  
Rear 990 g

## WHEEL REFERENCES

Front 112 014 10  
Rear 112 015 13  
Pair 112 016 14

## RIMS



## SALES REFERENCES:

Front and Rear: 120 334 15



### Ø VALVE HOLE

Ø: 6.5 mm  
Valve extender: 118 952 01  
Length: ≥ 55 mm

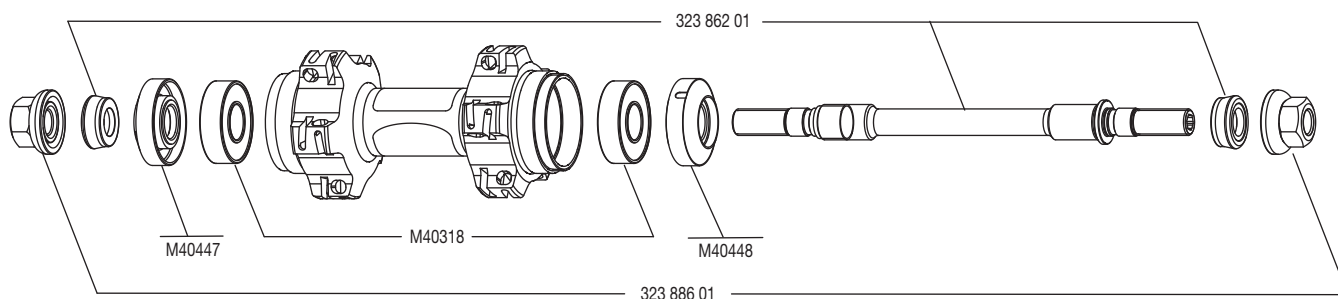
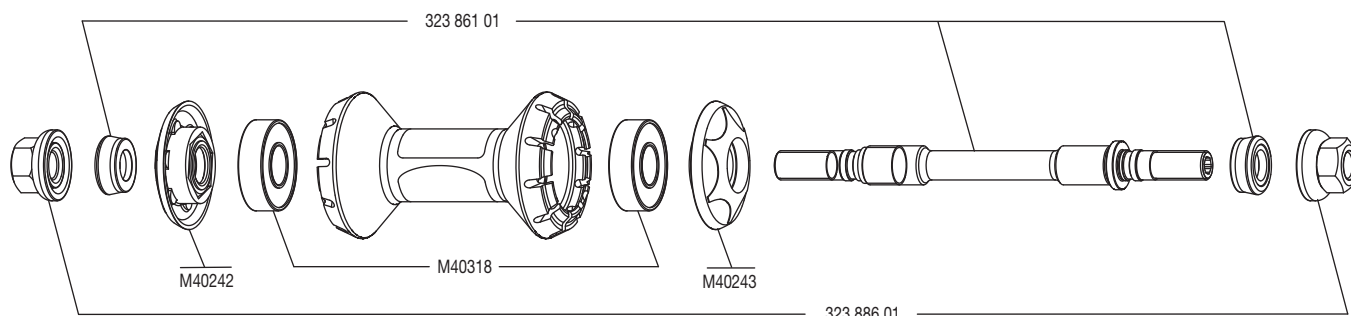


### RECOMMENDED TIRE WIDTH

Dimensions:  
ETRTO 622 x 15C  
Recommended tire width: 19 to 23 mm

## HUBS

**MAINTENANCE:** Clean with a dry cloth or soapy water if necessary.  
Do not use a high-pressure washer.



## WHEEL BUILDING

### REFERENCES AND LENGTHS:

Front: 120 337 01, length 279 mm (per 10, integrated nipples)  
Rear: 120 338 01, length 296 mm (per 10, integrated nipples)

### FEATURES:

Black ultra-bladed straight pull spokes with ABS nipples (self-locking)

### LACING PATTERN:

Front: radial  
Rear: 2-cross lacing on both sides

### TENSION:

Front: 90 to 110 kg  
Rear drive side: 90 to 110 kg

## ACCESSORIES

### WHEELS SUPPLIED WITH:

- Fixing nuts 323 886 01
- Rim tape
- Aluminum valve extender, 60 mm, 118 952 01
- Free play bearing adjustment wrench M40123
- Aerodynamic spoke wrench M40567 (with rear wheel)
- Wheel user guide

## MAINTENANCE

Replacing the front and rear axle and bearings  
Replacing a spoke  
Replacing the front rim  
Replacing the rear rim

See 2005 TM, page 20  
See 2005 TM, page 23  
See 2005 TM, page 24  
See 2005 TM, page 26