

# CROSSMAX SLR 29



**Use:** use only on a Cross-country or Cross-mountain MTB fitted with disc brakes. Any other use (such as on a tandem, road bike, cyclo-cross bike, free-ride or downhill bike...) is highly inadvisable, is the sole responsibility of the user and voids the Mavic warranty.

Recommended maximum weight of the cyclist and equipment: 85 kg.

## WHEEL WEIGHT WITHOUT QUICK-RELEASE SKEWER

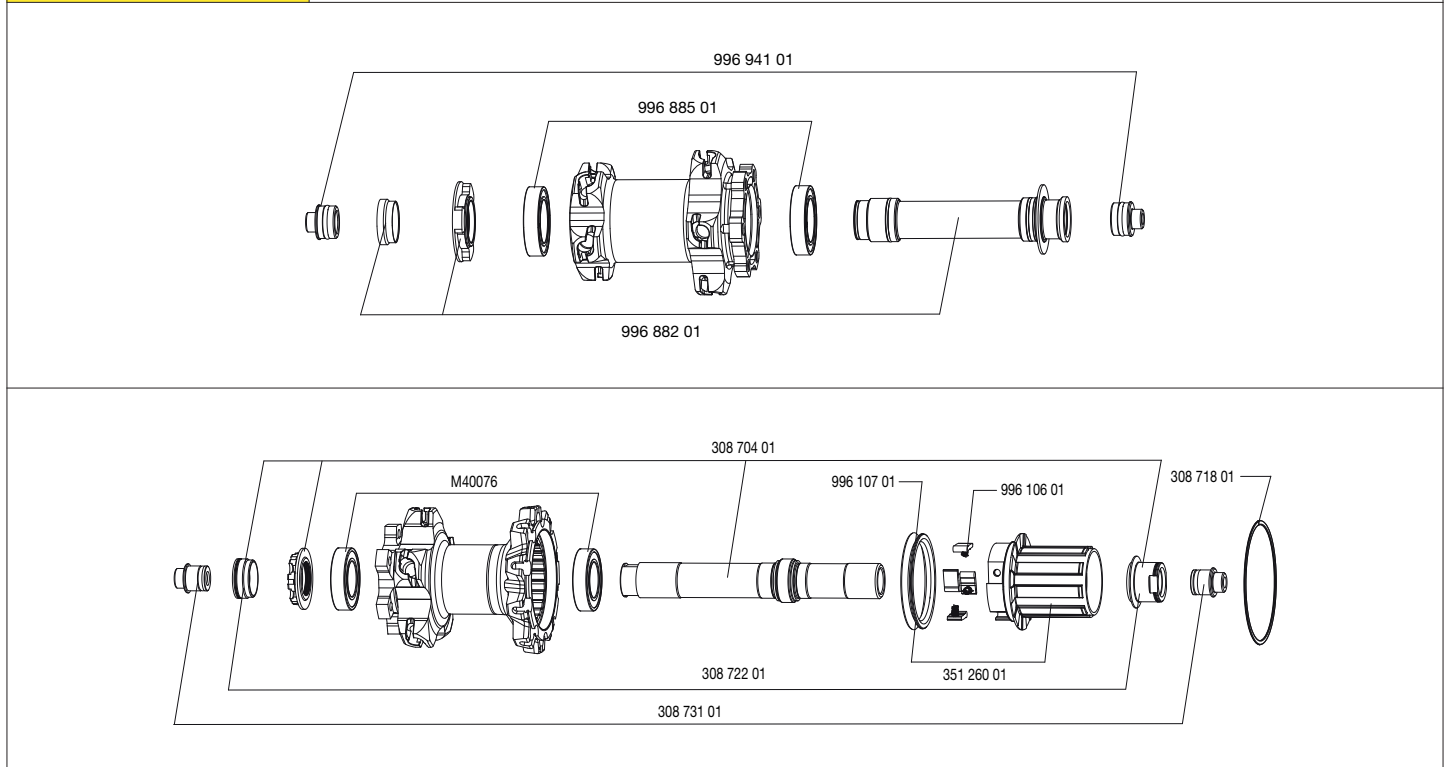
Front: 755 g  
Rear: 865 g

## REFERENCES

Front: 326 598 10  
Rear: 326 599 13  
Pair: 326 600 14

RIMS	SALES REFERENCES
	<p>Front: 351 135 10 Rear: 351 135 13</p>
	<div style="display: flex; justify-content: space-between;"> <div style="width: 45%;"> <p><b>Ø VALVE HOLE</b> Ø: 6.5 mm Length: ≥ 32 mm</p> </div> <div style="width: 45%;"> <p><b>RECOMMENDED TYRE WIDTH</b> Dimensions: Ø 29" ETRTO 622 x 19C and Tubeless UST compatible. Recommended clincher width: 1.5" to 2.3"</p> </div> </div> <p><b>When replacing the front rim:</b></p> <ol style="list-style-type: none"> <li>1. With the valve hole near you, the raised indicator bump must be to the <b>right</b> of the valve hole.</li> <li>2. The spoke in the first hole to the right of the valve hole is a non-braking spoke and should be inserted in the disc side.</li> </ol> <p><b>When replacing the rear rim:</b></p> <ol style="list-style-type: none"> <li>1. With the valve hole near you, the two raised indicator bumps must be to the <b>right</b> of the valve hole.</li> <li>2. The spoke in the first hole to the right of the valve hole should be introduced into the drive side in a hole marked on the hub.</li> </ol>

HUBS	MAINTENANCE: Clean with a dry cloth or soapy water if necessary. Do not use a high-pressure washer.
------	---



WHEEL BUILDING	REFERENCES AND LENGTHS
<p><b>FEATURES:</b> Black flat, straight pull Zicral spokes (with one decorated per wheel, disc side) with integrated and self-locking M7 aluminum spoke nipples</p>	<p>Front and rear non-drive side: 351 137 01, length 299.5 mm (per 10 + 1 decorated, integrated nipples)</p> <p>Rear drive side: 351 138 01, length 269.5 mm (per 10, integrated nipples)</p>
	<p><b>LACING PATTERN:</b> Front: 2-cross lacing on both sides Rear: Isopulse</p>

ACCESSORIES	WHEELS SUPPLIED WITH:	MAINTENANCE
<ul style="list-style-type: none"> <li>• BX 601 front quick-release skewer M40140</li> <li>• BX 601 rear quick-release skewer M40141</li> <li>• 2 Removable round UST valves 129 838 01</li> <li>• 2 Mavic wheel bags 857 144 01</li> <li>• Front Adapters 15=&gt;9 mm 996 941 01</li> <li>• Rear Adapters 12x142 mm 308 593 01</li> <li>• Rear Adapters 12=&gt;9.5 mm 308 731 01</li> <li>• Computer magnet M40540 (with front wheel)</li> <li>• 2 multifunction adjustment wrenches 325 423 01</li> <li>• Chain disc 308 755 01 (mounted on rear wheel)</li> <li>• 2 sets of specific disc screws (6 screws per set) 308 719 01</li> <li>• User guides</li> </ul>		<p><b>Specific tool:</b></p> <ul style="list-style-type: none"> <li>• Front bearing: 996 887 01</li> <li>• Rear bearing: M40119</li> <li>• Spoke wrench: 996 079 01</li> </ul>
<p>Refer to the website for quick and convenient access to maintenance information (replacement of an axle, bearings, free wheel, spokes, and rims) <a href="http://www.tech-mavic.com">www.tech-mavic.com</a></p>		