

# R-SYS (clincher version)

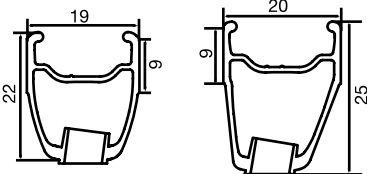



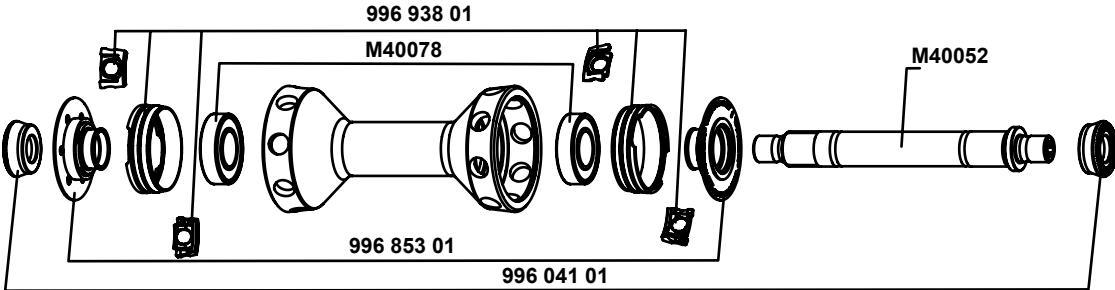
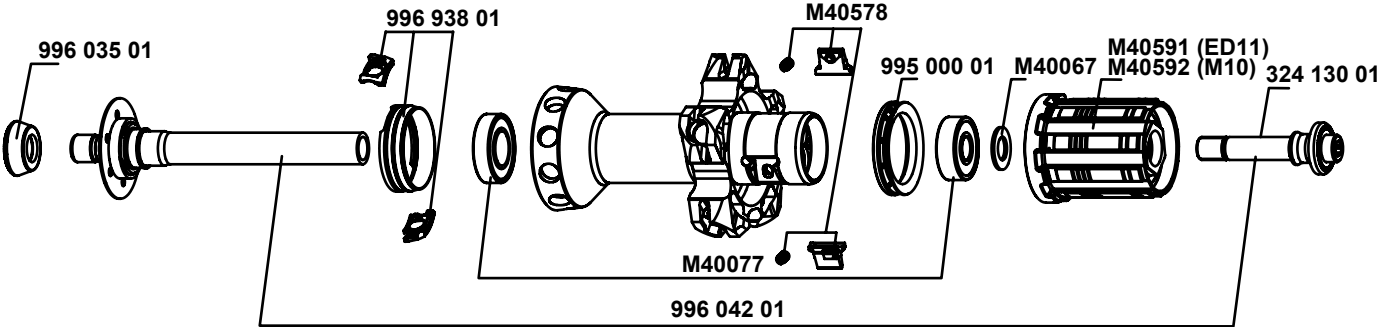
USE: use only on a road bike. Any other use (such as on a tandem, cyclo-cross bike, or off-road use...) is strongly inadvisable, is the sole responsibility of the user and voids the Mavic warranty.

## WHEEL WEIGHTS WITHOUT QUICK RELEASE SKEWER:

Front: 570 g  
Rear M10: 800 g  
Rear ED10: 785 g

## WHEEL REFERENCES:

	WORLD	USA
Front:	996 123 10	995 472 10
Rear M10:	996 124 11	996 473 11
Rear ED10:	996 125 12	995 474 12
Pair M10:	995 475 14	995 475 14
Pair ED10:	996 126 14	995 486 14

RIMS	SALES REFERENCES: Clincher Front: 996 052 10 Rear: 996 052 13	
	<b>VALVE HOLE Ø</b>  Ø: 6.5 mm Length: ≥ 32 mm	<b>RECOMMENDED TIRE WIDTH AND PRESSURE</b>  Dimensions: ETRTO 622 x 15C Recommended tire width: 19 to 28 mm  Recommended tire pressure: See page 21
When replacing the rear rim: 1. With the valve hole near you, the 2 raised indicator bumps must be to the right of the valve hole; 2. The spoke in the 1st hole to the right of the valve hole should be inserted on the drive side and should be a non-traction spoke.		
HUBS	MAINTENANCE: Clean with a dry cloth or soap and water. Do not use pressurized water.	
		
		
WHEEL BUILDING	REFERENCES AND LENGTHS:	Front: 996 072 01, length 285 mm (per 9, integrated nipples) Drive side: 996 073 01, length 294.5 mm (per 10, integrated nipples) Non-drive side: 996 074 01, length 283.7 mm (per 10, integrated nipples)
<b>FEATURES:</b> Front and rear non-drive side: carbon tubular spokes (Tracomp) Rear drive side: black Zicral bladed straight pull spokes with integrated M7 nipples (self-locking)		<b>LACING PATTERN:</b> Front: radial, Tracomp system Rear: crossed 2 drive side, radial non-drive side, Tracomp system
		<b>TENSION:</b> Front: 55 to 70 kg Rear drive side: 90 to 110 kg
ACCESSORIES	WHEELS SUPPLIED WITH:	MAINTENANCE
<ul style="list-style-type: none"> <li>• BR 601 front quick release skewer M40149</li> <li>• BR 601 rear quick release skewer M40150</li> <li>• Computer magnet integrated into spoke (front wheel)</li> <li>• Free play adjustment wrench M40123 (with rear wheel)</li> <li>• Spoke wrench 996 079 01 (with rear wheel)</li> <li>• Spoke wrench M40567 (with rear wheel)</li> <li>• Tracomp ring tool 996 080 01</li> <li>• ED10 12D locking ring M40640 (with rear wheel ED10)</li> <li>• Wheel bags M40135</li> <li>• User guide and warranty card</li> </ul>		Replacing the front axle and bearings See 2005 TM page 20 Replacing the rear axle See page 24 Maintaining and replacing the free wheel mechanism See 2003 TM page 21 Replacing the rear bearings See page 24 Important note for fitting Tracomp spokes See page 28 Identifying a damaged Tracomp carbon spoke See page 28 Removing / Refitting the Tracomp ring See page 29 Truing and replacing a Tracomp spoke See page 30 Replacing the front rim See page 30 Replacing the rear rim See page 31
To quickly consult this information in a practical manner, refer to <a href="http://www.tech-mavic.com">www.tech-mavic.com</a>		
Never turn a Tracomp spoke nipple without having first removed the Tracomp rings from the hub, otherwise the spoke may be irreversibly damaged. Never fit another computer magnet other than the one integrated. Only transport the wheels in the wheel bags supplied. Avoid side shocks to the Tracomp spokes.		

# R-SYS (tubular version)

USE: use only on a road bike. Any other use (such as on a tandem, cyclo-cross bike, or off-road use...) is strongly inadvisable, is the sole responsibility of the user and voids the Mavic warranty.

### WHEEL WEIGHTS WITHOUT QUICK RELEASE SKEWER:

Front: 570 g  
Rear M10: 775 g  
Rear ED10: 760 g

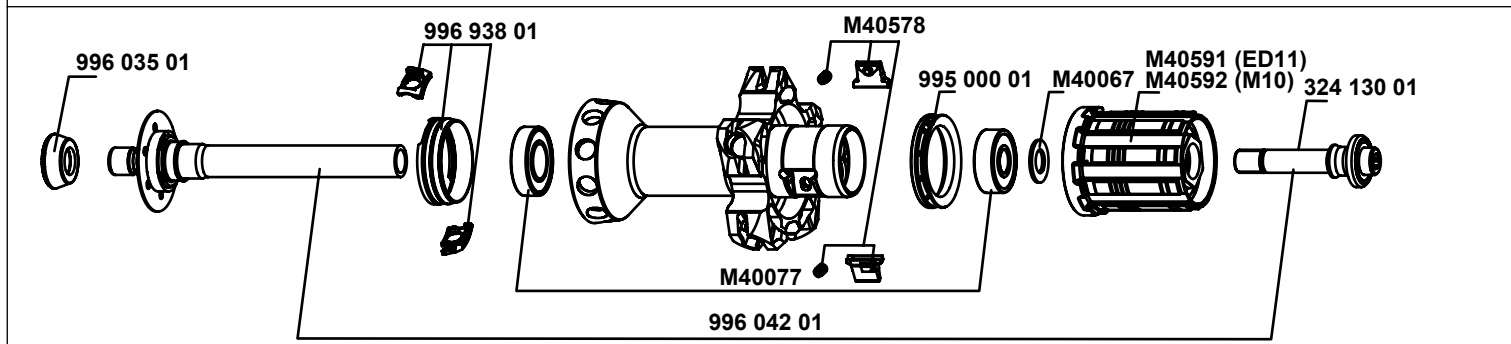
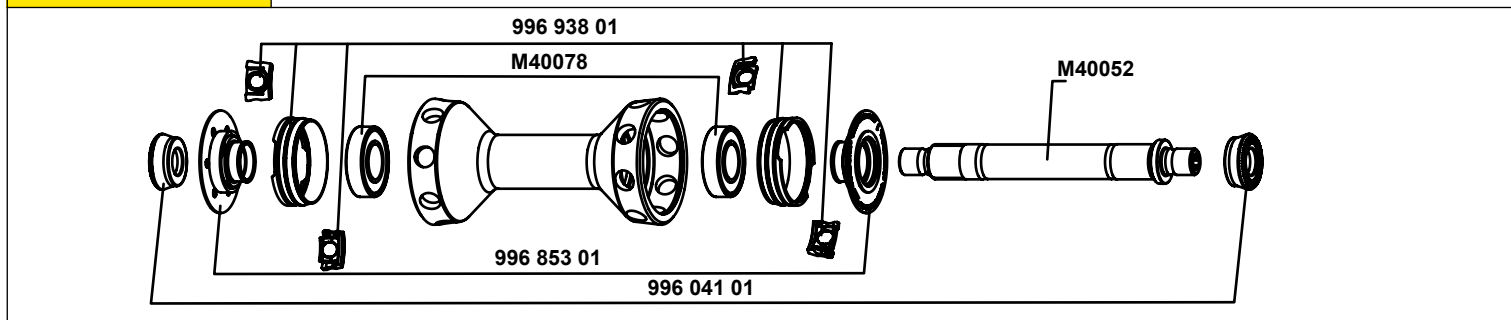
### WHEEL REFERENCES:

	WORLD	USA
Front:	995 525 10	995 525 10
Rear M10:	995 526 11	995 526 11
Rear ED10:	995 527 12	996 127 12

<b>RIMS</b>	SALES REFERENCES:		
	Tubular	Front:	996 053 10
		Rear:	996 053 13

	<b>VALVE HOLE Ø</b> Ø: 6.5 mm Length: ≥ 32 mm	<b>RECOMMENDED TIRE WIDTH AND PRESSURE</b> Dimensions: Ø 700 622 tubular only Recommended tubular width: 19 to 23 mm	Recommended tire pressure: See page 21
	<b>When replacing the rear rim:</b> 1. With the valve hole near you, the 2 raised indicator bumps must be to the right of the valve hole; 2. The spoke in the 1st hole to the right of the valve hole should be inserted on the drive side and should be a non-traction spoke.		

<b>HUBS</b>	<b>MAINTENANCE:</b> Clean with a dry cloth or soap and water. Do not use pressurized water.
-------------	--



<b>WHEEL BUILDING</b>	<b>REFERENCES AND LENGTHS:</b> Front: 996 072 01, length 285 mm (per 9, integrated nipples) Drive side: 996 151 01, length 297.5 mm (per 10, integrated nipples) Non-drive side: 996 154 01, length 286.7 mm (per 10, integrated nipples)
-----------------------	--

<b>FEATURES:</b> Front and rear non-drive side: carbon tubular spokes (Tracomp) Rear drive side: black Zicral bladed straight pull spokes with integrated M7 nipples (self-locking)	<b>LACING PATTERN:</b> Front: radial, Tracomp system Rear: crossed 2 drive side, radial non-drive side, Tracomp system	<b>TENSION:</b> Front: 55 to 70 kg Rear drive side: 90 to 110 kg
---	--	--

<b>ACCESSORIES</b>	<b>WHEELS SUPPLIED WITH:</b> <ul style="list-style-type: none"> <li>• BR 601 front quick release skewer M40149</li> <li>• BR 601 rear quick release skewer M40150</li> <li>• Computer magnet integrated into spoke (front wheel)</li> <li>• Free play adjustment wrench M40123 (with rear wheel)</li> <li>• Spoke wrench 996 079 01 (with rear wheel)</li> <li>• Spoke wrench M40567 (with rear wheel)</li> <li>• Tracomp ring tool 996 080 01</li> <li>• ED10 12D locking ring M40640 (with rear wheel ED10)</li> <li>• Wheel bags M40135</li> <li>• User guide and warranty card</li> </ul>	<b>MAINTENANCE</b>
		Replacing the front axle and bearings See 2005 TM page 20 Replacing the rear axle See page 24 Maintaining and replacing the free wheel mechanism See 2003 TM page 21 Replacing the rear bearings See page 24 Important note for fitting Tracomp spokes See page 28 Identifying a damaged Tracomp carbon spoke See page 28 Removing / Refitting the Tracomp ring See page 29 Truing and replacing a Tracomp spoke See page 30 Replacing the front rim See page 30 Replacing the rear rim See page 31
		To quickly consult this information in a practical manner, refer to <a href="http://www.tech-mavic.com">www.tech-mavic.com</a>

Never turn a Tracomp spoke nipple without having first removed the Tracomp rings from the hub, otherwise the spoke may be irreversibly damaged.  
 Never fit another computer magnet other than the one integrated.  
 Only transport the wheels in the wheel bags supplied. Avoid side shocks to the Tracomp spokes.