

KSYRIUM SL PREMIUM

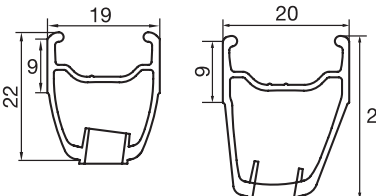

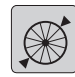

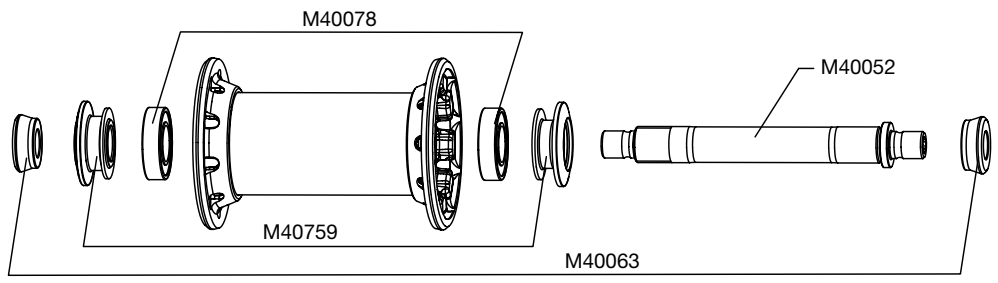
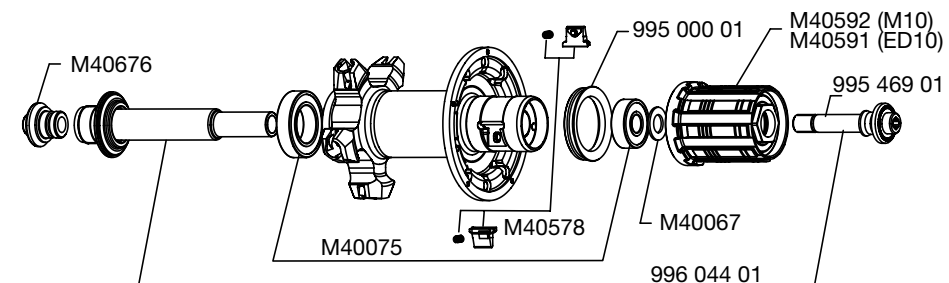
USE: use only on a road bike. Any other use (such as on a tandem, cyclo-cross bike, or of f-road use...) is strongly inadvisable, is the sole responsibility of the user and voids the Mavic warranty.

WHEEL WEIGHTS WITHOUT QUICK RELEASE SKEWER:

Front: 645 g
Rear M10: 850 g
Rear ED10: 835 g

WHEEL REFERENCES:

	WORLD	USA
Front:	996 129 10	995 891 10
Rear M10:	996 130 11	996 892 11
Rear ED10:	996 131 12	995 893 12
Pair M10:	995 894 14	995 894 14
Pair ED10:	996 132 14	995 895 14

RIMS	SALES REFERENCES:	
	Clincher	Front: 996 056 10 Rear: 996 056 13
	VALVE HOLE Ø  Ø: 6.5 mm Length: ≥ 32 mm	RECOMMENDED TIRE WIDTH AND PRESSURE  Dimensions: ETRTO 622 x 15C Recommended tire width: 19 to 28 mm  Recommended tire pressure: See page 21
	When replacing the rear rim: 1. With the valve hole near you, the 2 raised indicator bumps must be to the right of the valve hole; 2. The spoke in the 1st hole to the right of the valve hole should be inserted on the drive side into a marked hub hole.	
HUBS	MAINTENANCE: Clean with a dry cloth or soap and water. Do not use pressurized water.	
		
		
WHEEL BUILDING	REFERENCES AND LENGTHS:	Front: 324 178 01, length 284.5 mm (per 11, integrated nipples) Drive side: 324 179 01, length 275 mm (per 10, integrated nipples) Non-drive side: 324 180 01, length 298.5 mm (per 10, integrated nipples)
FEATURES:	LACING PATTERN:	TENSION:
Black Zicral bladed straight pull spokes with integrated M7 nipples (self-locking)	Front: radial Rear: Isopulse	Front: 110 to 130 kg Rear drive side: 120 to 140 kg
ACCESSORIES	WHEELS SUPPLIED WITH:	MAINTENANCE
<ul style="list-style-type: none"> BR 601 Titanium front quick release skewer 323 485 01 BR 601 Titanium rear quick release skewer 323 486 01 Computer magnet M40540 (with front wheel) Free play adjustment wrench M40123 (with rear wheel) Spoke wrench M40494 (with rear wheel) ED10 12D locking ring M40640 (with rear wheel ED10) Wheel bags M40135 User guide and warranty card 		Replacing the front axle and bearings See 2005 TM page 20 Replacing the rear axle See 2007 TM page 20 Maintaining and replacing the free wheel mechanism See 2003 TM page 21 Replacing the rear bearings See 2003 TM page 22 Replacing a spoke See 2003 TM page 23 Replacing the front rim See 2003 TM page 27 Replacing the rear rim See 2006 TM page 17 To quickly consult this information in a practical manner, refer to www.tech-mavic.com