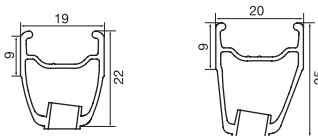




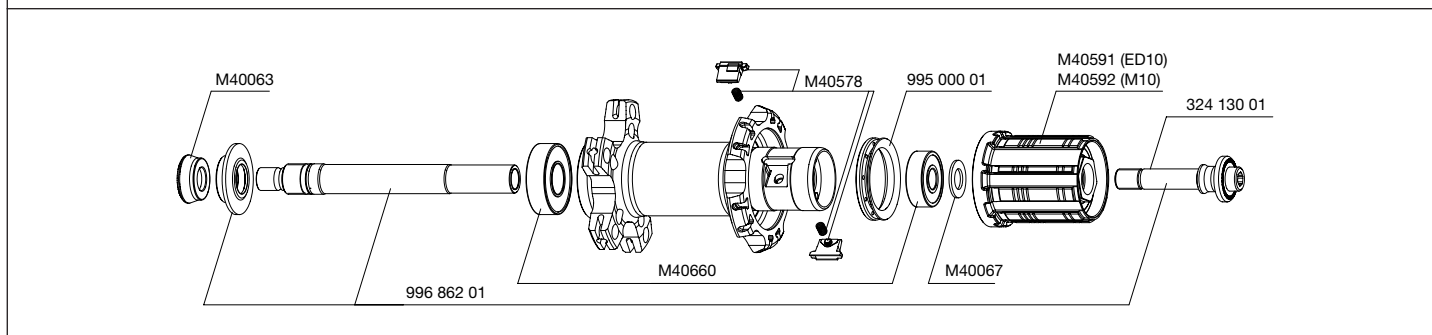
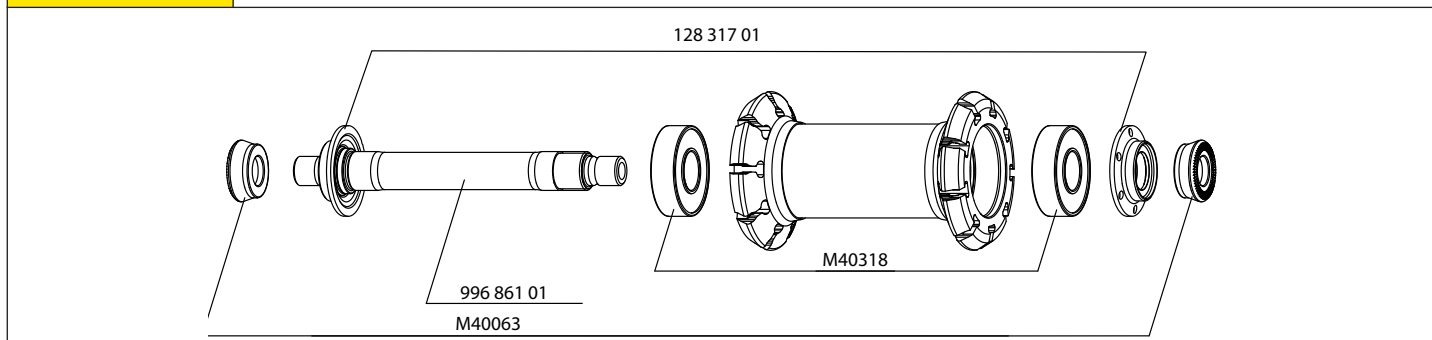
KSYRIUM ELITE 09

<p>USE: use only on a road bike. Any other use (such as on a tandem, cyclo-cross bike, or off-road use...) is highly inadvisable, is the sole responsibility of the user and voids the Mavic warranty. Recommended maximum weight of the cyclist and his equipment: 100 kg.</p>	<p>WHEEL WEIGHTS Ø 700 WITHOUT QUICK-RELEASE SKEWER</p> <p>Front: 675 g Rear M10: 890 g Rear ED10: 875 g</p>	<p>WHEEL WEIGHTS Ø 650 WITHOUT QUICK-RELEASE SKEWER</p> <p>Front: 640 g Rear M10: 805 g Rear ED10: 790 g</p>	<p>BLACK WHEEL REFERENCES:</p> <table border="1"> <tr> <td></td> <td>Ø 700</td> <td>Ø 650</td> </tr> <tr> <td>Front:</td> <td>996 155 10</td> <td>996 165 10</td> </tr> <tr> <td>Rear M10:</td> <td>996 156 11</td> <td>996 166 11</td> </tr> <tr> <td>Rear ED10:</td> <td>996 157 12</td> <td>996 167 12</td> </tr> <tr> <td>Pair M10:</td> <td>996 158 14</td> <td>996 168 14</td> </tr> <tr> <td>Pair ED10:</td> <td>996 159 14</td> <td>996 169 14</td> </tr> </table>		Ø 700	Ø 650	Front:	996 155 10	996 165 10	Rear M10:	996 156 11	996 166 11	Rear ED10:	996 157 12	996 167 12	Pair M10:	996 158 14	996 168 14	Pair ED10:	996 159 14	996 169 14	<p>SILVER WHEEL REFERENCES:</p> <table border="1"> <tr> <td>Front:</td> <td>996 160 10</td> </tr> <tr> <td>Rear M10:</td> <td>996 161 11</td> </tr> <tr> <td>Rear ED10:</td> <td>996 162 12</td> </tr> <tr> <td>Pair M10:</td> <td>996 163 14</td> </tr> <tr> <td>Pair ED10:</td> <td>996 164 14</td> </tr> </table>	Front:	996 160 10	Rear M10:	996 161 11	Rear ED10:	996 162 12	Pair M10:	996 163 14	Pair ED10:	996 164 14
	Ø 700	Ø 650																														
Front:	996 155 10	996 165 10																														
Rear M10:	996 156 11	996 166 11																														
Rear ED10:	996 157 12	996 167 12																														
Pair M10:	996 158 14	996 168 14																														
Pair ED10:	996 159 14	996 169 14																														
Front:	996 160 10																															
Rear M10:	996 161 11																															
Rear ED10:	996 162 12																															
Pair M10:	996 163 14																															
Pair ED10:	996 164 14																															

RIMS	<p>REFERENCES: Black: Front: 996 855 10 Rear: 996 855 13</p> <p>Silver: Front: 996 863 10 Rear: 996 863 13</p> <p>Ø 650 (Black): Front: 996 869 10 Rear: 996 869 13</p>
-------------	---


	<p>Ø VALVE HOLE</p>  <p>Ø: 6.5 mm Length: ≥ 32 mm</p>	<p>RECOMMENDED TIRE WIDTH</p>  <p>Dimensions: Ø 700: ETRTO 622 x 15C Ø 650: ETRTO 571 x 15C Recommended tire width: 19 to 32 mm</p> <p>When replacing the rear rim: 1. With the valve hole near you, the two raised indicator bumps must be to the left of the valve hole 2. The first spoke to the right of the valve hole is a driving spoke and should be inserted in the non-drive side of the hub</p>
---	---	--

HUBS	<p>MAINTENANCE: Clean with a dry cloth or soap and water if necessary. Do not use a high-pressure washer.</p>
-------------	---



As the front hub is made up of three parts, maintenance operations (replacing the axle or bearings) must always be carried out on the assembled wheel (hub, rim and spokes assembled).

WHEELBUILDING	<p>REFERENCES AND LENGTHS:</p> <table border="1"> <tr> <td>Black</td> <td>Front</td> <td>996 856 01, length 284 mm, (per 9, integrated nipples)</td> </tr> <tr> <td></td> <td>Rear drive side</td> <td>996 857 01, length 276 mm, (per 10, integrated nipples)</td> </tr> <tr> <td></td> <td>Rear non-drive side</td> <td>996 858 01, length 301 mm, (per 10, integrated nipples)</td> </tr> <tr> <td>Silver</td> <td>Front</td> <td>996 864 01, length 284 mm, (per 9, integrated nipples)</td> </tr> <tr> <td></td> <td>Rear drive side</td> <td>996 865 01, length 276 mm, (per 10, integrated nipples)</td> </tr> <tr> <td></td> <td>Rear non-drive side</td> <td>996 866 01, length 301 mm, (per 10, integrated nipples)</td> </tr> <tr> <td>Ø 650 Black</td> <td>Front</td> <td>996 870 01, length 259 mm, (per 9, integrated nipples)</td> </tr> <tr> <td></td> <td>Rear drive side</td> <td>996 871 01, length 255 mm, (per 10, integrated nipples)</td> </tr> <tr> <td></td> <td>Rear non-drive side</td> <td>996 872 01, length 280 mm, (per 10, integrated nipples)</td> </tr> </table>	Black	Front	996 856 01, length 284 mm, (per 9, integrated nipples)		Rear drive side	996 857 01, length 276 mm, (per 10, integrated nipples)		Rear non-drive side	996 858 01, length 301 mm, (per 10, integrated nipples)	Silver	Front	996 864 01, length 284 mm, (per 9, integrated nipples)		Rear drive side	996 865 01, length 276 mm, (per 10, integrated nipples)		Rear non-drive side	996 866 01, length 301 mm, (per 10, integrated nipples)	Ø 650 Black	Front	996 870 01, length 259 mm, (per 9, integrated nipples)		Rear drive side	996 871 01, length 255 mm, (per 10, integrated nipples)		Rear non-drive side	996 872 01, length 280 mm, (per 10, integrated nipples)
Black	Front	996 856 01, length 284 mm, (per 9, integrated nipples)																										
	Rear drive side	996 857 01, length 276 mm, (per 10, integrated nipples)																										
	Rear non-drive side	996 858 01, length 301 mm, (per 10, integrated nipples)																										
Silver	Front	996 864 01, length 284 mm, (per 9, integrated nipples)																										
	Rear drive side	996 865 01, length 276 mm, (per 10, integrated nipples)																										
	Rear non-drive side	996 866 01, length 301 mm, (per 10, integrated nipples)																										
Ø 650 Black	Front	996 870 01, length 259 mm, (per 9, integrated nipples)																										
	Rear drive side	996 871 01, length 255 mm, (per 10, integrated nipples)																										
	Rear non-drive side	996 872 01, length 280 mm, (per 10, integrated nipples)																										

<p>FEATURES: Black or silver stainless steel straight pull spokes with integrated, self-locking M7 screws.</p>	<p>LACING PATTERN: Front: radial Rear: Isopulse</p> 	<p>TENSION: Front: 110 to 130 kg Rear drive side: 125 to 145 kg</p>
---	---	--

<p>ACCESSORIES</p> <p>WHEELS SUPPLIED WITH:</p> <ul style="list-style-type: none"> • BR 301 front quick-release skewer 996 939 01 • BR 301 rear quick-release skewer 996 940 01 • ED10 12D locking ring M40640 (with rear wheel ED10) • Free play adjustment wrench M40123 (with rear wheel) • Spoke wrench M40494 (with rear wheel) • User guide 	<p>MAINTENANCE</p> <table border="1"> <tr> <td>Replacing the front axle and bearings</td> <td>See 2005 TM, page 20</td> </tr> <tr> <td>Replacing the rear axle</td> <td>See 2007 TM, page 20</td> </tr> <tr> <td>Maintaining and replacing the free wheel mechanism</td> <td>See 2003 TM, page 21</td> </tr> <tr> <td>Replacing the rear bearings</td> <td>See 2004 TM, page 22</td> </tr> <tr> <td>Replacing a spoke</td> <td>See 2008 TM, page 25</td> </tr> <tr> <td>Replacing the front rim</td> <td>See 2008 TM, page 25</td> </tr> <tr> <td>Replacing the rear rim</td> <td>See page 31</td> </tr> </table> <p>To consult this information quickly in a practical manner, refer to www.tech-mavic.com</p>	Replacing the front axle and bearings	See 2005 TM, page 20	Replacing the rear axle	See 2007 TM, page 20	Maintaining and replacing the free wheel mechanism	See 2003 TM, page 21	Replacing the rear bearings	See 2004 TM, page 22	Replacing a spoke	See 2008 TM, page 25	Replacing the front rim	See 2008 TM, page 25	Replacing the rear rim	See page 31
Replacing the front axle and bearings	See 2005 TM, page 20														
Replacing the rear axle	See 2007 TM, page 20														
Maintaining and replacing the free wheel mechanism	See 2003 TM, page 21														
Replacing the rear bearings	See 2004 TM, page 22														
Replacing a spoke	See 2008 TM, page 25														
Replacing the front rim	See 2008 TM, page 25														
Replacing the rear rim	See page 31														