

DEETRAKS 09 and DEETRAKS 09 12x150



USE: use only on a Cross Country or Cross Mountain MTB fitted with disc or rim brakes. Any other use (such as on a tandem, road bike, cyclo-cross bike, ...) is highly inadvisable, is the sole responsibility of the user and voids the Mavic warranty.

Recommended maximum weight of the cyclist and his equipment: 115 kg.

WHEEL WEIGHTS WITHOUT QUICK-RELEASE SKEWER

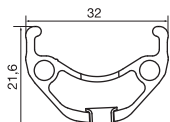
	9.5x135	12x150
Front:	1085 g	1085 g
Rear:	1170 g	1175 g

WHEEL REFERENCES

	9.5x135	12x150
Front:	996 197 10	996 197 10
Rear:	996 198 13	996 221 13
Pair:	996 199 14	996 222 14

RIMS

REFERENCES: Front and rear: 996 925 15



Ø VALVE HOLE



Ø: 8.5 mm
Length.: ≥ 32 mm

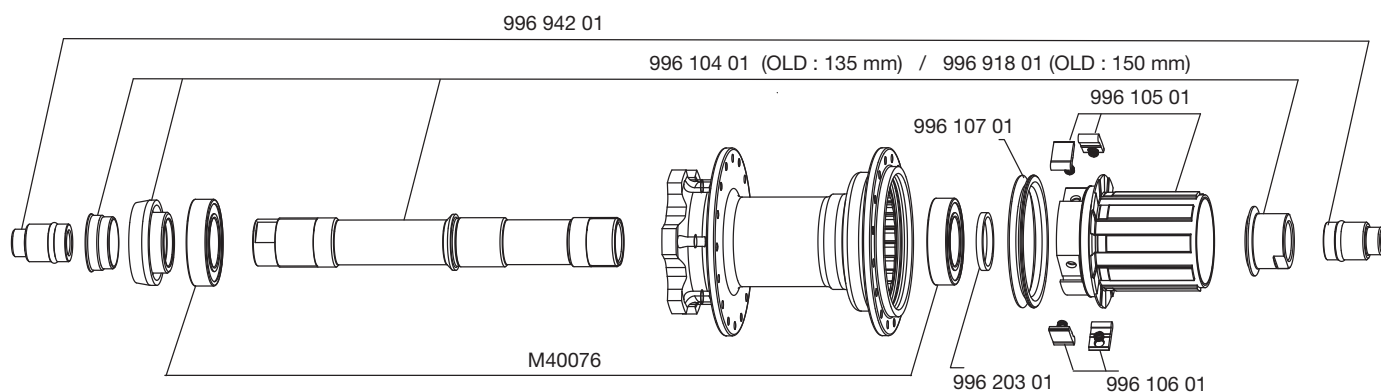
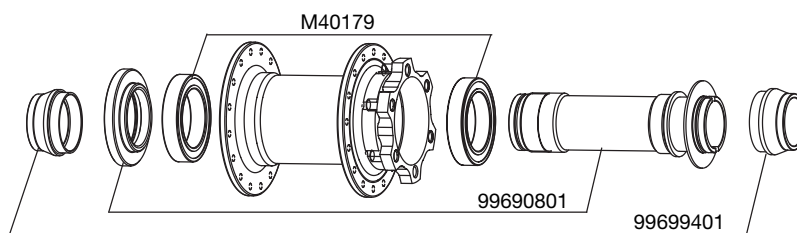
RECOMMENDED TIRE WIDTH



Dimensions: Ø 26"
ETRTO 559 x 25C compatible
Recommended tire width: 2.3" to 3.0"

HUBS

MAINTENANCE: Clean with a dry cloth or soap and water if necessary. Do not use a high-pressure washer.



WHEEL BUILDING

REFERENCES AND LENGTHS: Front non-disc side and rear non-drive side: 996 926 01, length 263 mm (per 16, with nipples)
Front disc side and rear drive side: 996 927 01, length 261 mm (per 16, with nipples)

FEATURES:

Black steel round J-bent spokes with Self Lock system and conventional spoke nipples.

LACING PATTERN:

Front and rear: crossed 3 on 2 sides, hot lacing.

TENSION:

Front disc side: 110 to 130 kg
Rear drive side: 120 to 140 kg

ACCESSORIES

WHEELS SUPPLIED WITH:

- BR 101 rear quick-release skewer M40351 (with 135 mm rear wheel only)
- Fork support kit 20 mm 996 994 01
- Axle reducers =>9 mm 996 942 01 (with 135 mm rear wheel only)
- Rim tape
- Free play bearing adjustment wrench M40123 (with rear wheel)
- User guide

MAINTENANCE

Replacing the front axle and bearings
Rear wheel assembly diameter conversion
Maintaining and replacing the free wheel mechanism
Replacing the rear axle and bearings
Replacing one spoke, front or rear rim

See 2008 TM, page 24
See page 25
See page 29
See page 30
See page 40

To consult this information quickly in a practical manner, refer to www.tech-mavic.com