

# R-SYS SL- Clincher

**USE:** for road bike use only. Any other use (such as on a tandem, cyclo-cross bike, or off-road use...) is highly inadvisable, is the sole responsibility of the user and voids the Mavic warranty.

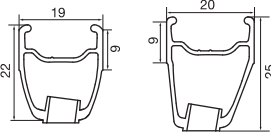


Recommended maximum weight of the cyclist and equipment: 100 kg

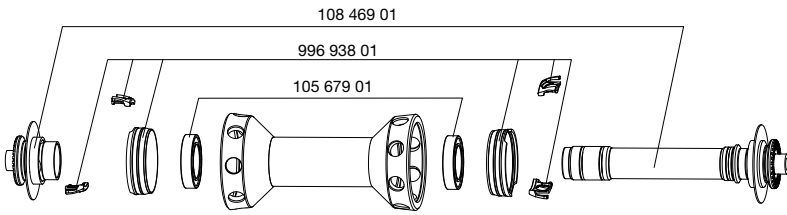
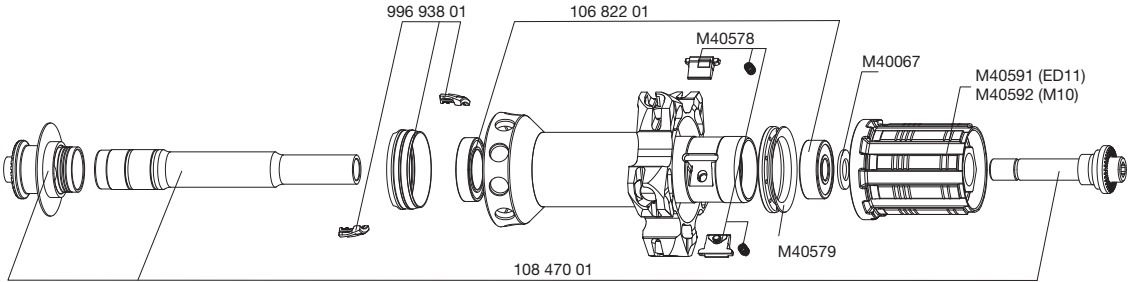
## WHEEL WEIGHT WITHOUT QUICK-RELEASE SKEWER


Front	545 g
Rear M10	765 g
Rear ED11	750 g

## WHEEL REFERENCES

Front	995 487 10
Rear M10	995 488 11
Rear ED11	995 489 12
Pair M10	995 490 14
Pair ED11	995 491 14

RIMS	SALES REFERENCES	Clincher	Front: 108 424 10 Rear: 108 424 13
	 <b>Ø VALVE HOLE</b> Ø: 6.5 mm Length: ≥ 32 mm	 <b>RECOMMENDED TIRE WIDTH</b> Dimensions: ETRTO 622 x 15C Recommended tire width: 19 to 32 mm	
<b>When replacing the rear rim:</b> 1. With the valve hole near you, the two raised indicator bumps must be to the right of the valve hole. 2. The spoke in the first hole to the right of the valve hole is a non-traction spoke and should be introduced in the drive side.			

HUBS	MAINTENANCE: Clean with a dry cloth or soapy water if necessary. Do not use a high-pressure washer.
	
	

WHEEL BUILDING	REFERENCES AND LENGTHS:	Front: 107 958 01, length 285 mm (per 10, integrated nipples) Drive side: 108 446 01, length 294.5 mm (per 10, integrated nipples) Non-drive side: 107 959 01, length 284 mm (per 11, integrated nipples)	
<b>FEATURES:</b>	Front and rear non-drive side: carbon tubular spokes (TraComp) - new generation Rear drive side: black swaged, bladed, straight pull Zicral spokes with M7 integrated, self-locking nipples	<b>LACING PATTERN:</b> Front: radial, TraComp system Rear: 2-cross lacing drive side, radial non-drive side, TraComp system	
		<b>TENSION:</b> Front: 70 to 90 kg Rear drive side: 90 to 110 kg	

ACCESSORIES	WHEELS SUPPLIED WITH:	MAINTENANCE	
<ul style="list-style-type: none"> <li>BR 601 Titanium front quick-release skewer 323 485 01</li> <li>BR 601 Titanium rear quick-release skewer 323 486 01</li> <li>Removable computer magnet (front wheel) 105 416 01</li> <li>Spoke wrench (with rear wheel) 108 471 01</li> <li>Zicral spoke wrench M40567 (with rear wheel)</li> <li>TraComp ring tool 996 080 01</li> <li>ED11 12D locking ring (with rear wheel ED11) 108 317 01</li> <li>Wheel bags M40135</li> <li>User guide</li> </ul>		Adjusting QRМ SL hub bearings Replacing the front axle and bearings Replacing the rear axle Maintaining and replacing the free wheel mechanism Replacing the rear bearings Important note for fitting TraComp spokes Removing/Refitting the TraComp ring Truing and replacing a TraComp spoke Replacing the front rim Replacing the rear rim	See 2010 TM, page 16 See 2010 TM, page 17 See 2010 TM, page 18 See 2003 TM, page 21 See 2010 TM, page 19 See 2008 TM, page 28 See 2009 TM, page 36 See 2008 TM, page 30 See 2008 TM, page 30 See 2008 TM, page 31
Refer to the website for quick and convenient access to information: <a href="http://www.tech-mavic.com">www.tech-mavic.com</a>			

Never turn a TraComp spoke nipple without having first removed the TraComp rings from the hub, otherwise the spoke may be irreversibly damaged.

Never fit a computer magnet other than the one supplied with the wheel.

Only transport the wheels in the wheel bags supplied. Avoid side shocks to the TraComp spokes.

# R-SYS SL - Tubular

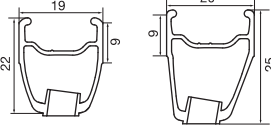


**USE:** for road bike use only. Any other use (such as on a tandem, cyclo-cross bike, or off-road use...) is highly inadvisable, is the sole responsibility of the user and voids the Mavic warranty.  
Recommended maximum weight of the cyclist and equipment: 100 kg

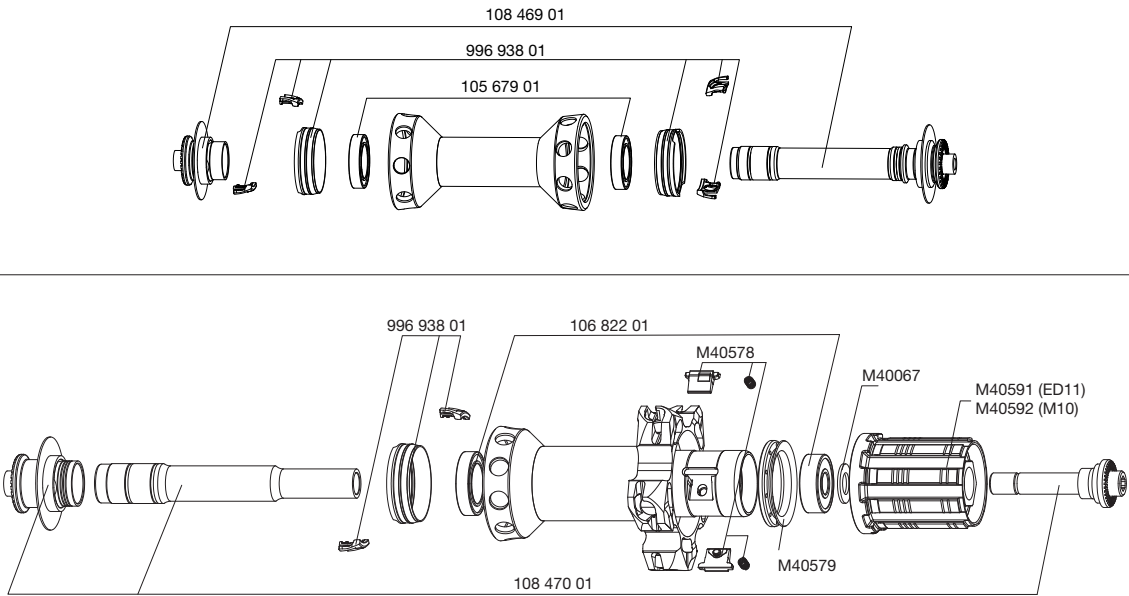
## WHEEL WEIGHT WITHOUT QUICK-RELEASE SKEWER


Front 550 g  
Rear M10 740 g  
Rear ED11 725 g

## WHEEL REFERENCES

Front 995 520 10  
Rear M10 995 521 11  
Rear ED11 995 522 12

RIMS	SALES REFERENCES	Tubular	Front: 108 425 10 Rear: 108 425 13
	 <p><b>Ø VALVE HOLE</b> Ø: 6.5 mm Length: ≥ 32 mm</p>	 <p><b>RECOMMENDED TIRE WIDTH</b> Dimensions: Ø 700 633 tubular only Recommended tubular width: 19 to 23 mm</p>	
<p><b>When replacing the rear rim:</b></p> <ol style="list-style-type: none"> <li>1. With the valve hole near you, the two raised indicator bumps must be to the right of the valve hole.</li> <li>2. The spoke in the first hole to the right of the valve hole is a non-traction spoke and should be introduced in the drive side.</li> </ol>			

HUBS	MAINTENANCE: Clean with a dry cloth or soapy water if necessary. Do not use a high-pressure washer.
	

WHEEL BUILDING	REFERENCES AND LENGTHS:	Front: 107 958 01, length 285 mm (per 10, integrated nipples) Drive side: 108 447 01, length 297.5 mm (per 10, integrated nipples) Non-drive side: 108 448 01, length 287 mm (per 11, integrated nipples)
<p><b>FEATURES:</b> Front and rear non-drive side: carbon tubular spokes (TraComp) - new generation Rear drive side: black swaged, bladed, straight pull Zicral spokes with M7 integrated, self-locking nipples</p>	<p><b>LACING PATTERN:</b> Front: radial, TraComp system Rear: 2-cross lacing drive side, radial non-drive side, TraComp system</p>	 <p><b>TENSION:</b> Front: 70 to 90 kg Rear drive side: 90 to 110 kg</p>

ACCESSORIES	WHEELS SUPPLIED WITH:	MAINTENANCE
<ul style="list-style-type: none"> <li>• BR 601 Titanium front quick-release skewer 323 485 01</li> <li>• BR 601 Titanium rear quick-release skewer 323 486 01</li> <li>• Removable computer magnet (front wheel) 105 416 01</li> <li>• Spoke wrench (with rear wheel) 108 471 01</li> <li>• Zicral spoke wrench M40567 (with rear wheel)</li> <li>• TraComp ring tool 996 080 01</li> <li>• ED11 12D locking ring (with rear wheel ED11) 108 317 01</li> <li>• Wheel bags M40135</li> <li>• User guide Adjusting QRM SL hub bearings</li> </ul>		<p>Replacing the front axle and bearings See 2010 TM, page 16 Replacing the rear axle See 2010 TM, page 17 Maintaining and replacing the free wheel mechanism See 2010 TM, page 18 Replacing the rear bearings See 2003 TM, page 21 Important note for fitting TraComp spokes See 2010 TM, page 19 Removing/Refitting the TraComp ring See 2008 TM, page 28 Truing and replacing a TraComp spoke See 2009 TM, page 36 Replacing the front rim See 2008 TM, page 30 Replacing the rear rim See 2008 TM, page 30 See 2008 TM, page 31</p>
<p>Refer to the website for quick and convenient access to information: <a href="http://www.tech-mavic.com">www.tech-mavic.com</a></p>		

Never turn a TraComp spoke nipple without having first removed the TraComp rings from the hub, otherwise the spoke may be irreversibly damaged.  
Never fit a computer magnet other than the one supplied with the wheel.  
Only transport the wheels in the wheel bags supplied. Avoid side shocks to the TraComp spokes.