

iO Track 11

Use: front wheel only, intended exclusively for track bikes. Any other use (such as on a road bike, tandem, cyclo-cross bike, or off-road use...) is highly inadvisable, is the sole responsibility of the user and voids the Mavic warranty. Recommended maximum weight of the cyclist and equipment: 100 kg.

WHEEL WEIGHT WITHOUT RETAINING SCREWS

Front 750 g

WHEEL REFERENCES

Front 111 554 10



Ø VALVE HOLE

Ø: 6.5 mm
Length: ≥ 32 mm

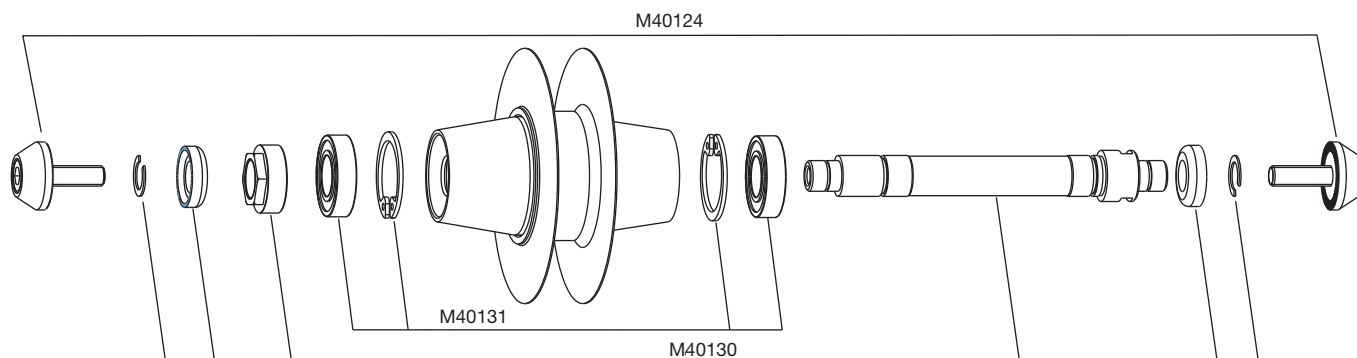


RECOMMENDED TUBULAR WIDTH

Dimensions: Ø 700
633 mm
Tubular only / Recommended width: 18 to 21 mm

HUB

MAINTENANCE: Clean with a dry cloth or soapy water if necessary.
Do not use a high-pressure washer.



ACCESSORIES

WHEELS SUPPLIED WITH:

- Retaining screw M40124
- Wheel bag
- Wheel user guide

MAINTENANCE

Bearing adjustment

See 2011 TM, page 31