

# COSMIC CARBONE 80

**Use: for road bike use only.** Any other use (such as on a tandem, cyclo-cross bike, or off-road use...) is highly inadvisable, is the sole responsibility of the user and voids the Mavic warranty.

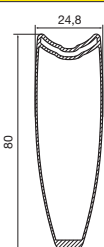


Recommended maximum weight of the cyclist and equipment: 100 kg.

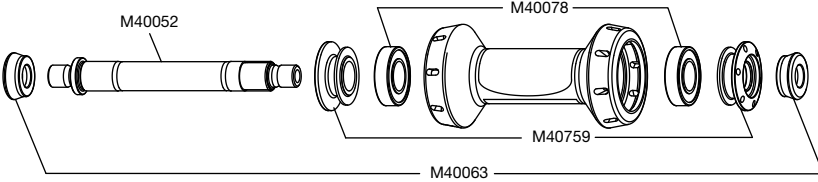
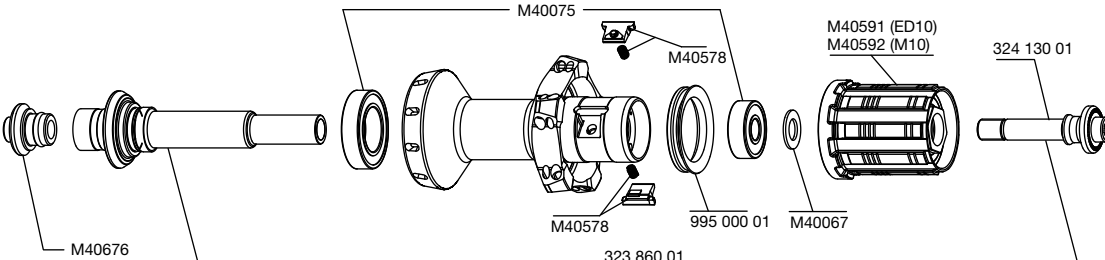
## WHEEL WEIGHT WITHOUT QUICK-RELEASE SKEWER AND WITHOUT TUBULAR

Front	800 g
Rear M10	965 g
Rear ED11	950 g

## WHEEL REFERENCES

Front	11150410
Rear M10	11150511
Rear ED11	11150612
Pair M10	11150714
Pair ED11	11150814

RIMS	SALES REFERENCES:	
	Front:	120 109 10
	Rear:	120 109 13
	 <b>Ø VALVE HOLE</b> Ø: 6.5 mm Length: ≥ 80 mm	 <b>RECOMMENDED TIRE WIDTH</b> Dimensions: Ø 700 633 tubular only Recommended tubular width: 19 to 23 mm
	Use only the Mavic carbon rim brake pads supplied with the wheels. The brake pads can be ordered separately using references 120 131 01 (HG, Sram, Mavic) and 120 132 01 (ED).	
<b>When replacing the rear rim:</b> 1. With the valve hole near you, turn the rim so that the «infobloc» label can be seen. 2. The first spoke to the right of the valve hole is a non-traction spoke and should be inserted in the drive side hub.		

HUBS	MAINTENANCE:
	Clean with a dry cloth or soapy water if necessary. Do not use a high-pressure washer.
	
	

WHEEL BUILDING	REFERENCES AND LENGTHS:	FRONT:	120 113 01, length 233 mm (per 8, integrated nipples)
		Drive side:	120 114 01, length 249 mm (per 10, integrated nipples)
		Non-drive side:	120 115 01, length 231 mm (per 10, integrated nipples)
<b>FEATURES:</b>	Black stainless steel straight pull spokes with ABS spoke nipples		
<b>LACING PATTERN:</b>	Front: radial Rear: 2-crossed drive side, radial non-drive side		
<b>TENSION:</b>	Front: 120 to 140 kg Rear drive side: 140 to 160 kg		

ACCESSORIES	WHEELS SUPPLIED WITH:	MAINTENANCE	
<ul style="list-style-type: none"> <li>BR 601 front quick-release skewer M40149</li> <li>BR 601 rear quick-release skewer M40150</li> <li>ED11 12D locking ring (with rear wheel ED11) 108 317 01</li> <li>Free play adjustment wrench M40123 (with rear wheel)</li> <li>Aerodynamic spoke wrench M40567 (with rear wheel)</li> <li>1 pair of Mavic Carbon brake pads for braking on carbon rim with the rear wheel: HG/Sram/Mavic 120 131 01 or ED 120 132 01</li> <li>2 pairs of Mavic Carbon brake pads for braking on carbon rim with the front wheel: HG/Sram/Mavic 120 131 01 and ED 120 132 01</li> <li>Aluminum valve extender, 60 mm, 118 952 01</li> <li>Wheel bags M40135</li> <li>Yksion GripLink front tubular 23c 119 412 01</li> <li>Yksion PowerLink rear tubular 23c 118 491 01</li> <li>Wheel user guide</li> <li>Tubular user guide</li> </ul>		Replacing the front axle Replacing the front bearings Replacing the rear axle Replacing the free wheel mechanism Replacing the rear bearings Replacing a spoke Replacing the front rim Replacing the rear rim Bonding a tubular	See 2005 TM, page 20 See 2005 TM, page 20 See 2003 TM, page 19 See 2003 TM, page 21 See 2003 TM, page 22 See 2005 TM, page 23 See 2006 TM, page 18 See 2006 TM, page 19 See Mavic tubular user guide
		Refer to the website for quick and convenient access to information: <a href="http://www.tech-mavic.com">www.tech-mavic.com</a>	