

# COMÈTE ROAD 11

**Use: for road bike use only.** Any other use (such as on a tandem, cyclo-cross bike, or off-road use...) is highly inadvisable, is the sole responsibility of the user and voids the Mavic warranty.  
Recommended maximum weight of the cyclist and equipment: 100 kg.

### WHEEL WEIGHT WITHOUT SKEWER AND WITHOUT TUBULAR

M10	1165 g
ED11	1150 g

### WHEEL REFERENCES

Rear M10	111 543 11
Rear ED11	111 544 12



**Ø VALVE HOLE**  
Ø: 6.5 mm  
Length: ≥ 32 mm



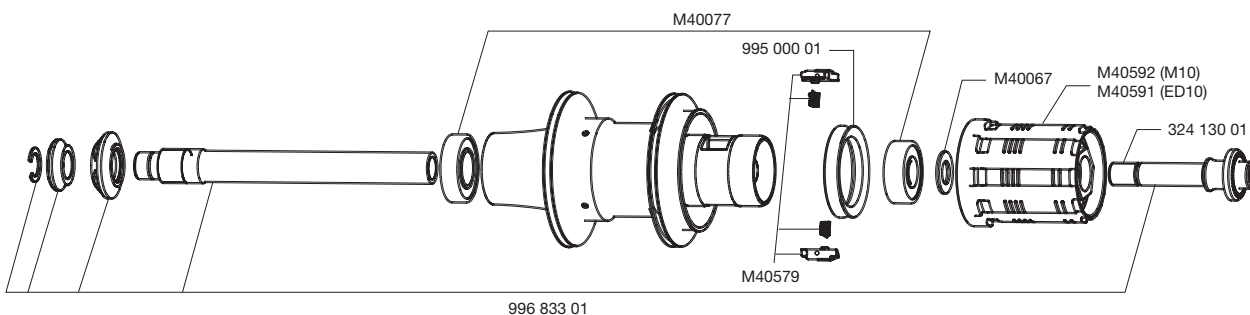
**RECOMMENDED TIRE WIDTH**  
Dimensions:  
Ø 700: 633 mm  
Tubular only / Recommended width: 18 to 23 mm



**EXALITH:** for efficient and long-lasting braking performance, use only the special Mavic® Exalith® brake pads supplied with your wheels. The use of other brake pads may be dangerous for the user and may void the warranty. Please carefully read the «Exalith Warning» provided with your wheels. The brake pads can be ordered separately using the following references 120 164 01 (HG, Sram, Mavic) and 120 165 01 (ED). Clean with a dry cloth or soapy water if necessary.

### HUBS

**MAINTENANCE:** Clean with a dry cloth or soapy water if necessary. Do not use a high-pressure washer.



### ACCESSORIES

#### WHEEL SUPPLIED WITH:

- BR 601 rear quick-release skewer M40150
- ED11 12D locking ring (with rear wheel ED11) 108 317 01
- Rim tape
- Aluminum valve extender, 60 mm, 118 952 01
- Yksion PowerLink rear tubular 23c 118 491 01
- 1 pair of Mavic Exalith brake pads for Exalith brake track: HG/Sram/Mavic 120 164 01 or ED 120 165 01
- Wheel user guide
- Tubular user guide

### MAINTENANCE

- Replacing the rear axle
- Maintaining and replacing the free wheel mechanism
- Replacing the rear bearings
- Important notes about Exalith rims
- Bonding a tubular

- See 2008 TM, page 23
- See 2003 TM, page 21
- See 2008 TM, page 24
- See 2011 TM, page 28
- See Mavic tubular user guide

Refer to the website for quick and convenient access to information: [www.tech-mavic.com](http://www.tech-mavic.com)