

ELLIPSE 11

Use: for track bike use only. Any other use (such as on a road bike, tandem, cyclo-cross bike, or off-road use...) is highly inadvisable, is the sole responsibility of the user and voids the Mavic warranty.
Recommended maximum weight of the cyclist and equipment: 100 kg.

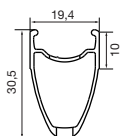
WHEEL WEIGHT WITHOUT FIXING NUTS

Front 905 g
Rear 990 g

WHEEL REFERENCES

Front 112 014 10
Rear 112 015 13
Pair 112 016 14

RIMS



SALES REFERENCES:

Front and Rear: 120 334 15



Ø VALVE HOLE

Ø: 6.5 mm
Valve extender: 118 952 01
Length: ≥ 55 mm

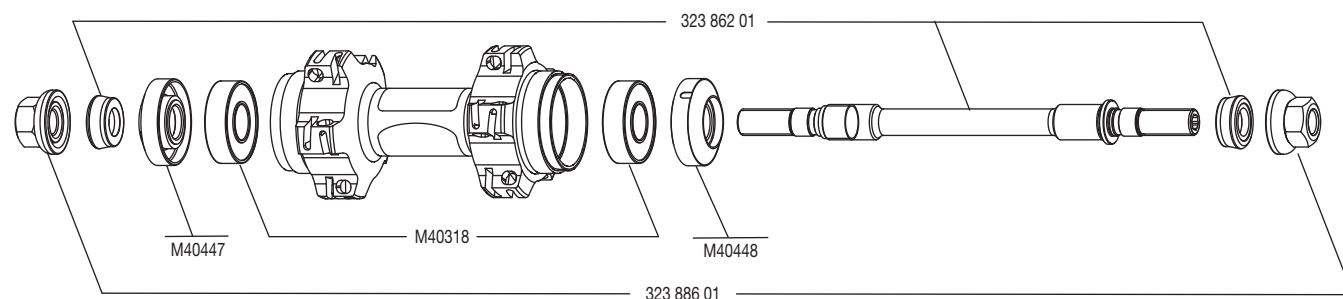
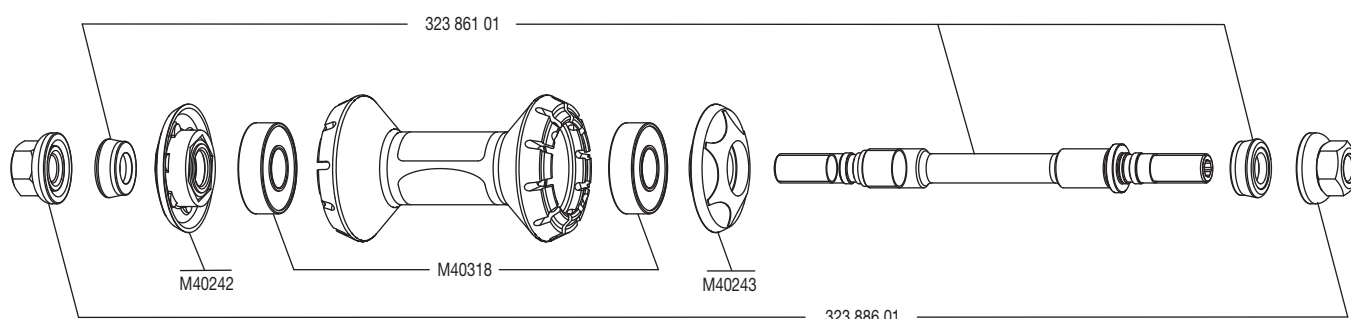


RECOMMENDED TIRE WIDTH

Dimensions:
ETRTO 622 x 15C
Recommended tire width: 19 to 23 mm

HUBS

MAINTENANCE: Clean with a dry cloth or soapy water if necessary.
Do not use a high-pressure washer.



WHEEL BUILDING

REFERENCES AND LENGTHS:

Front: 120 337 01, length 279 mm (per 10, integrated nipples)
Rear: 120 338 01, length 296 mm (per 10, integrated nipples)

FEATURES:

Black ultra-bladed straight pull spokes with ABS nipples (self-locking)

LACING PATTERN:

Front: radial
Rear: 2-cross lacing on both sides

TENSION:

Front: 90 to 110 kg
Rear drive side: 90 to 110 kg

ACCESSORIES

WHEELS SUPPLIED WITH:

- Fixing nuts 323 886 01
- Rim tape
- Aluminum valve extender, 60 mm, 118 952 01
- Free play bearing adjustment wrench M40123
- Aerodynamic spoke wrench M40567 (with rear wheel)
- Wheel user guide

MAINTENANCE

Replacing the front and rear axle and bearings
Replacing a spoke
Replacing the front rim
Replacing the rear rim

See 2005 TM, page 20
See 2005 TM, page 23
See 2005 TM, page 24
See 2005 TM, page 26