

KSYRIUM SR

Use: for road bike use only. Any other use (such as on a tandem, cyclo-cross bike, or off-road use...) is highly inadvisable, is the sole responsibility of the user and voids the Mavic warranty.

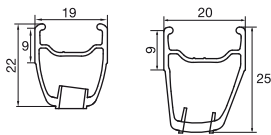


Recommended maximum weight of the cyclist and equipment: 100 kg.

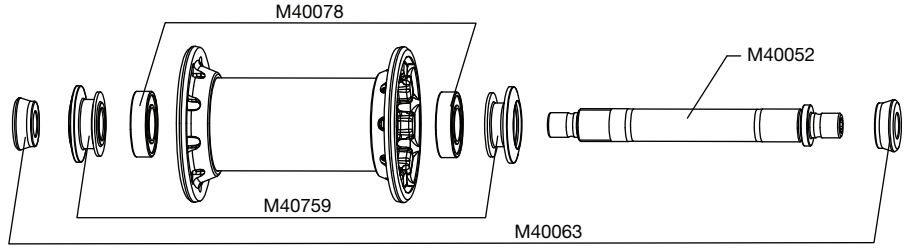
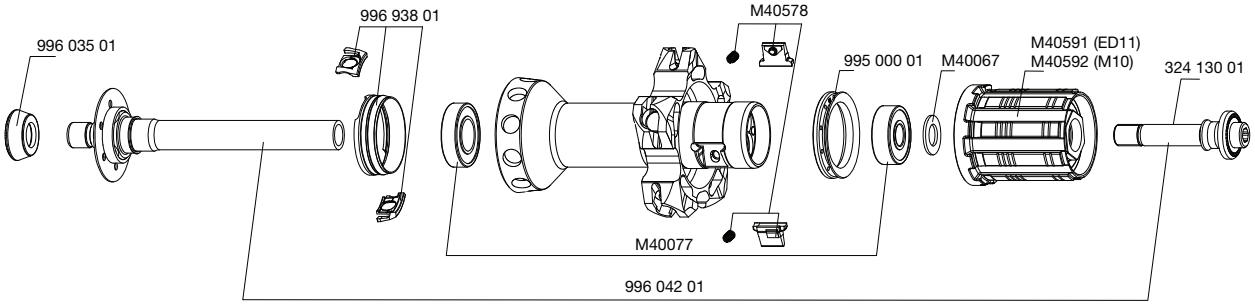
WHEEL WEIGHT WITHOUT QUICK-RELEASE SKEWER AND WITHOUT TIRE

Front	645 g
Rear M10	815 g
Rear ED11	800 g

WHEEL REFERENCES

Front	112 018 10
Rear M10	112 019 11
Rear ED11	112 020 12
Pair M10	112 021 14
Pair ED11	112 022 14

RIMS	SALES REFERENCES:	Front: 120 209 10 Rear: 120 209 13
	 Ø VALVE HOLE Ø: 6.5 mm Length: ≥ 32 mm	 RECOMMENDED TIRE WIDTH Dimensions: ETRTO 622 x 15C Recommended tire width: 19 to 32 mm
	When replacing the rear rim: 3. With the valve hole near you, the two raised indicator bumps must be to the right of the valve hole. 4. The spoke in the first hole to the right of the valve hole is a non-traction spoke and should be inserted in the drive side.	

HUBS	MAINTENANCE:	Clean with a dry cloth or soapy water if necessary. Do not use a high-pressure washer.
		
		

WHEEL BUILDING	REFERENCES AND LENGTHS:	Front: 120 302 01, length 285 mm (per 12, integrated nipples) Drive side: 120 301 01, length 294.5 mm (per 10, integrated nipples) Non-drive side: 120 295 01, length 284 mm (per 10, integrated nipples)
FEATURES:	Black bladed, straight pull Zicral spokes with integrated and self-locking M7 nipples	LACING PATTERN: Front: radial
		TENSION: Front: 110 to 130 kg Rear drive side: 120 to 140 kg

ACCESSORIES	WHEELS SUPPLIED WITH:	MAINTENANCE
<ul style="list-style-type: none"> BR 601 front quick-release skewer M40149 BR 601 rear quick-release skewer M40150 Computer magnet M40540 (with front wheel) Free play adjustment wrench M40123 (with rear wheel) Spoke wrench 996 079 01 (with rear wheel) Zicral spoke wrench M40567 ED11 12D locking ring (with rear wheel ED11) 108 317 01 Wheel user guide 		Replacing the front axle and bearings See 2005 TM, page 20 Replacing the rear axle See 2008 TM, page 24 Maintaining and replacing the free wheel mechanism See 2003 TM, page 21 Replacing the rear bearings See 2008 TM, page 24 Important note for fitting Tracomp spokes See 2008 TM, page 28 Removing/Refitting the Tracomp ring See 2009 TM, page 36 Truing and replacing a Tracomp spoke See 2008 TM, page 30 Replacing a spoke See 2003 TM, page 23 Replacing the front rim See 2008 TM, page 30 Replacing the rear rim See 2008 TM, page 31
Refer to the website for quick and convenient access to information: www.tech-mavic.com		

Never turn a Tracomp spoke nipple without having first removed the Tracomp rings from the hub, otherwise the spoke may be irreversibly damaged.

Never fit a computer magnet other than the one supplied with the wheel.

Only transport the wheels in the wheel bags supplied. Avoid side shocks to the Tracomp spokes.

KSYRIUM SR (tubular version)

Use: for road bike or cyclo-cross bike use only. Any other use (such as on a tandem or off-road bike...) is highly inadvisable, is the sole responsibility of the user and voids the Mavic warranty.

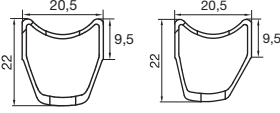


Recommended maximum weight of the cyclist and equipment: 100 kg.

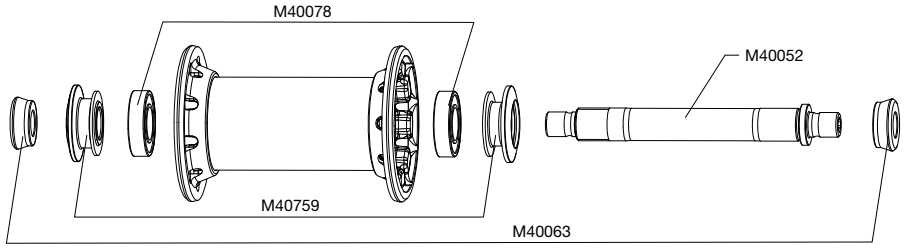
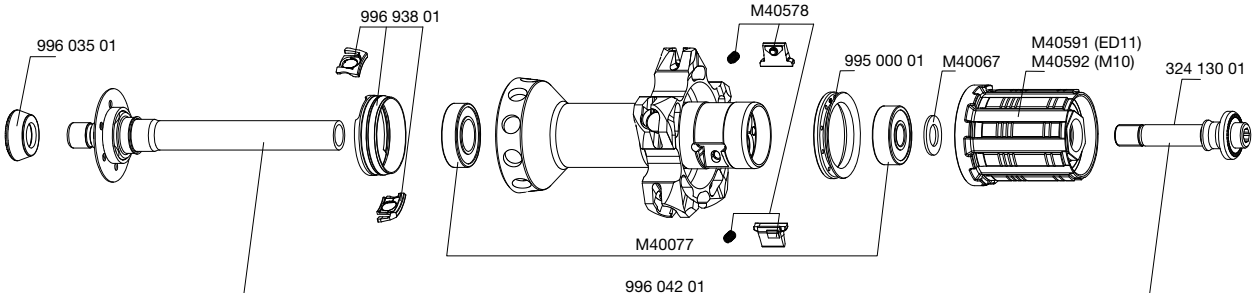
WHEEL WEIGHT WITHOUT QUICK-RELEASE SKEWER AND WITHOUT TUBULAR


Front	645 g
Rear M10	815 g
Rear ED11	800 g

WHEEL REFERENCES

Front	307 562 10
Rear M10	307 563 11
Rear ED11	307 564 12
Pair M10	307 565 14
Pair ED11	307 566 14

RIMS	SALES REFERENCES	Front: 308 611 10 Rear: 308 611 13
	 Ø VALVE HOLE Ø: 6.5 mm Length: ≥ 32 mm	 RECOMMENDED TYRE WIDTH Dimensions: Ø 700 633 tubular only Recommended tubular width: 19 to 23 mm
When replacing the rear rim: 1. With the valve hole near you, the two raised indicator bumps must be to the right of the valve hole. 2. The spoke in the first hole to the right of the valve hole is a non-traction spoke and should be inserted in the drive side.		

HUBS	MAINTENANCE: Clean with a dry cloth or soapy water if necessary. Do not use a high-pressure washer.
	
	

WHEEL BUILDING	REFERENCES AND LENGTHS:	Front: 120 302 01, length 285 mm (per 12, integrated nipples) Drive side: 308 637 01, length 297.5 mm (per 9 + 1 decorated, integrated nipples) Non-drive side: 120 293 01, length 286.7 mm (per 11, integrated nipples)	TENSION: Front: 110 to 130 kg Rear drive side: 90 to 110 kg
FEATURES: Front: black bladed, straight pull Zicral spokes with integrated and self-locking M7 nipples Rear drive side: black round, straight pull Zicral spokes with integrated, self-locking M7 nipples rear non-drive side: carbon tubular spokes (Tracomp)	LACING PATTERN: Front: radial Rear: 2-cross lacing drive side, radial non-drive side, Tracomp system		

ACCESSORIES	WHEELS SUPPLIED WITH:	MAINTENANCE
<ul style="list-style-type: none"> BR 601 front quick-release skewer M40149 BR 601 rear quick-release skewer M40150 Computer magnet M40540 (with front wheel) 2 multifunction adjustment wrenches 325 423 01 Zicral spoke wrench M40567 ED11 12D locking ring (with rear wheel ED11) 108 317 01 Wheel user guide, tubular user guide 		Replacing the front axle and bearings See 2005 TM, page 20 Replacing the rear axle See 2008 TM, page 24 Maintaining and replacing the free wheel mechanism See 2003 TM, page 21 Replacing the rear bearings See 2008 TM, page 24 Important note for fitting Tracomp spokes See 2008 TM, page 28 Removing/Refitting the Tracomp ring See 2009 TM, page 36 Truing and replacing a Tracomp spoke See 2008 TM, page 30 Replacing a spoke See 2003 TM, page 23 Replacing the front rim See 2008 TM, page 30 Replacing the rear rim See 2008 TM, page 31
Refer to the website for quick and convenient access to information: www.tech-mavic.com		

Never turn a Tracomp spoke nipple without having first removed the Tracomp rings from the hub, otherwise the spoke may be irreversibly damaged.

Never fit a computer magnet other than the one supplied with the wheel.

Only transport the wheels in the wheel bags supplied. Avoid side shocks to the Tracomp spokes.