

KSYRIUM SLR *Front (tubular version)*

Use: for road bike use only. Any other use (such as on a tandem, cyclo-cross bike, or off-road use...) is highly inadvisable, is the sole responsibility of the user and voids the Mavic warranty.

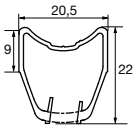



Recommended maximum weight of the cyclist and equipment: 100 kg.

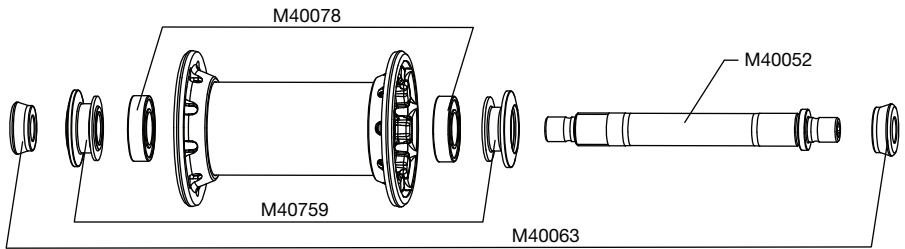
WHEEL WEIGHT WITHOUT QUICK-RELEASE SKEWER AND WITHOUT TUBULAR

Front 620 g

WHEEL REFERENCES

Front 111 378 10

RIMS	SALES REFERENCES: Tubular Front: 120 295 01	
	 Ø VALVE HOLE Ø: 6.5 mm Length: ≥ 32 mm	 RECOMMENDED TIRE WIDTH Dimensions: Ø 700 633 tubular only Recommended tubular width: 19 to 23 mm
	 EXALITH: for efficient and long-lasting braking performance, use only the special Mavic® Exalith® brake pads supplied with your wheels. The use of other brake pads may be dangerous for the user and may void the warranty. Please carefully read the «Exalith Warning» provided with your wheels. Clean with a dry cloth or soapy water if necessary. The brake pads can be ordered separately using the following references 120 164 01 (HG, Sram, Mavic) and 120 165 01 (ED).	

HUBS	MAINTENANCE: Clean with a dry cloth or soapy water if necessary. Do not use a high-pressure washer.
	

WHEEL BUILDING	REFERENCES AND LENGTHS: Front: 120 302 01, length 284.5 mm (per 12, integrated nipples)
FEATURES: Black bladed, straight pull Zicral spokes with integrated and self-locking M7 nipples	LACING PATTERN: Front: radial
	TENSION: Front: 110 to 130 kg

ACCESSORIES	WHEELS SUPPLIED WITH:	MAINTENANCE
<ul style="list-style-type: none"> • BR 601 front quick-release skewer M40149 • Computer magnet M40540 • Wheel bag M40135 • 2 pairs of Mavic Exalith brake pads for Exalith brake track with the front wheel: HG/Sram/Mavic 120 164 01 and ED 120 165 01 • Yksion GripLink front tubular 23c 119 412 01 • Wheel user guide • Tubular user guide 		Replacing the front axle and bearings Replacing a spoke Replacing the front rim Important notes about Exalith rims Bonding a tubular
		See 2005 TM, page 20 See 2003 TM, page 23 See 2003 TM, page 27 See 2011 TM, page 28 See Mavic tubular user guide
		Refer to the website for quick and convenient access to information: www.tech-mavic.com

KSYRIUM SLR *Front (clincher version)*

Use: for road bike use only. Any other use (such as on a tandem, cyclo-cross bike, or off-road use...) is highly inadvisable, is the sole responsibility of the user and voids the Mavic warranty.

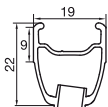



Recommended maximum weight of the cyclist and equipment: 100 kg.

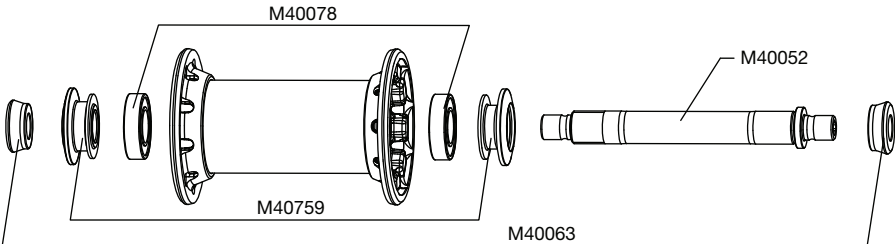
WHEEL WEIGHT WITHOUT QUICK-RELEASE SKEWER AND WITHOUT TIRE

Front 635 g

WHEEL REFERENCES

Front 111 369 10

RIMS	SALES REFERENCES: Clincher Front: 120 208 10	
	 Ø VALVE HOLE Ø: 6.5 mm Length: ≥ 32 mm	 RECOMMENDED TIRE WIDTH Dimensions: ETRTO 622 x 15C Recommended tire width: 19 to 28 mm
	 EXALITH: for efficient and long-lasting braking performance, use only the special Mavic® Exalith® brake pads supplied with your wheels. The use of other brake pads may be dangerous for the user and may void the warranty. Please carefully read the «Exalith Warning» provided with your wheels. Clean with a dry cloth or soapy water if necessary. The brake pads can be ordered separately using the following references 120 164 01 (HG, Sram, Mavic) and 120 165 01 (ED).	

HUBS	MAINTENANCE: Clean with a dry cloth or soapy water if necessary. Do not use a high-pressure washer.
	

WHEEL BUILDING	REFERENCES AND LENGTHS: Front: 120 302 01, length 284.5 mm (per 12, integrated nipples)
FEATURES: Black bladed, straight pull Zicral spokes with integrated and self-locking M7 nipples	LACING PATTERN: Front: radial
	TENSION: Front: 110 to 130 kg

ACCESSORIES	WHEELS SUPPLIED WITH:	MAINTENANCE
<ul style="list-style-type: none"> • BR 601 front quick-release skewer M40149 • Computer magnet M40540 • Wheel bag M40135 • 2 pairs of Mavic Exalith brake pads for Exalith brake track with the front wheel: HG/Sram/Mavic 120 164 01 and ED 120 165 01 • Yksion GripLink front clincher 23c 118 498 01 • 1 Mavic butyl inner tube 111 040 01 • Wheel user guide • Tire user guide 		Replacing the front axle and bearings Replacing a spoke Replacing the front rim Important notes about Exalith rims Tire replacement
		See 2005 TM, page 20 See 2003 TM, page 23 See 2003 TM, page 27 See 2011 TM, page 28 See Mavic tire user guide
		Refer to the website for quick and convenient access to information: www.tech-mavic.com