

AKSIUM 12 (White and Red)

Use: for road bike use only. Any other use (such as on a tandem, cyclo-cross bike, or off-road use...) is highly inadvisable, is the sole responsibility of the user and voids the Mavic warranty.

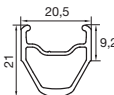


Recommended maximum weight of the cyclist and equipment: 100 kg.

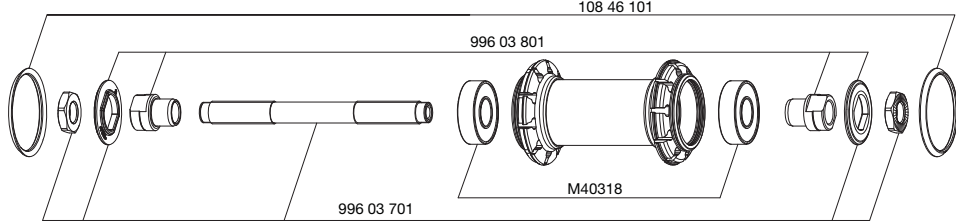
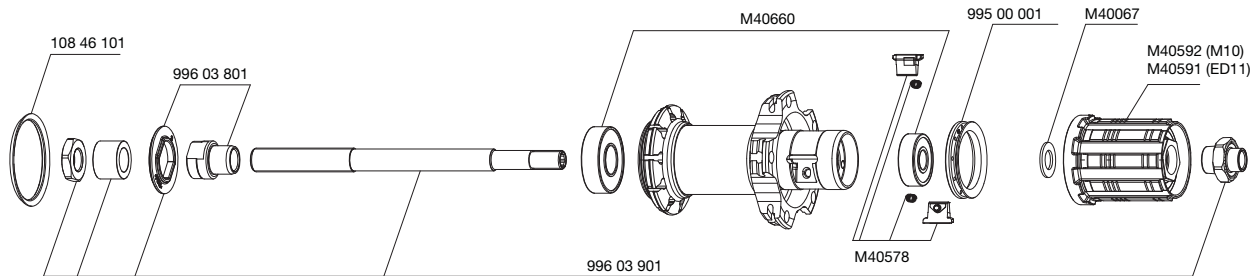
WHEEL WEIGHT WITHOUT QUICK-RELEASE SKEWER AND WITHOUT TYRE

Front	800 g
Rear M10	950 g
Rear ED11	935 g

WHEEL REFERENCES

	WHITE	RED
Front	127 969 10	128 064 10
Rear M10	127 970 11	128 065 11
Rear ED11	127 971 12	128 066 12
Pair M10	127 972 14	128 067 14
Pair ED11	127 973 14	128 068 14

RIMS	SALES REFERENCES	White:	Front and Rear: 308 608 15	Red:	Front and Rear: 308 609 15
	 <p>Ø VALVE HOLE Ø: 6.5 mm Length: ≥ 32 mm</p>	 <p>RECOMMENDED TYRE WIDTH Dimensions: Ø 700: ETRTO 622 x 15C Recommended tyre width: 19 to 32 mm</p>			

HUBS	MAINTENANCE:
	Clean with a dry cloth or soapy water if necessary. Do not use a high-pressure washer.
	
	

WHEEL BUILDING	REFERENCES AND LENGTHS:	Front and rear non-drive side: 108 449 01, length 282 mm (per 10, with nipples)	Rear drive side: 108 450 01, length 298 mm (per 10, with nipples)
FEATURES:	Front wheel: Selflock type black bladed straight pull steel spokes with standard nipples. Rear wheel: black bladed straight pull steel spokes with ABS nipples.	LACING PATTERN:	TENSION:
		Front: radial Rear: radial on the non-drive side, in a 2-cross pattern on the drive side	Front: 80 to 90 kg Rear drive side: 150 to 165 kg

ACCESSORIES	WHEELS SUPPLIED WITH:	MAINTENANCE
<ul style="list-style-type: none"> Conventional aluminum quick-release skewer on front M40350 Conventional aluminum quick-release skewer on rear M40351 ED11 12D locking ring (with rear wheel ED11) 108 317 01 2 Mavic Aksion 23 tyres (White: 129 480 23 / Red: 127 388 23) 2 Mavic butyl inner tubes 127 385 01 2 rim tapes 18x622 Wheel user guide Tyre user guide 		Replacing the front axle and bearings Replacing the rear axle Maintaining and replacing the free wheel mechanism Replacing the rear bearings Replacing a spoke Replacing the front rim Replacing the rear rim Mounting the tyre
		See 2004 TM, page 19 See 2004 TM, page 20 See 2004 TM, page 21 See 2004 TM, page 22 See 2008 TM, page 25 See 2008 TM, page 25 See 2010 TM, page 22 See tyre user guide
		Refer to the website for quick and convenient access to information: www.tech-mavic.com