

# COSMIC CARBONE SLE

**Use:** for road bike use only. Any other use (such as on a tandem, cyclo-cross bike, or off-road use...) is highly inadvisable, is the sole responsibility of the user and voids the Mavic warranty.

Recommended maximum weight of the cyclist and equipment: 100 kg.

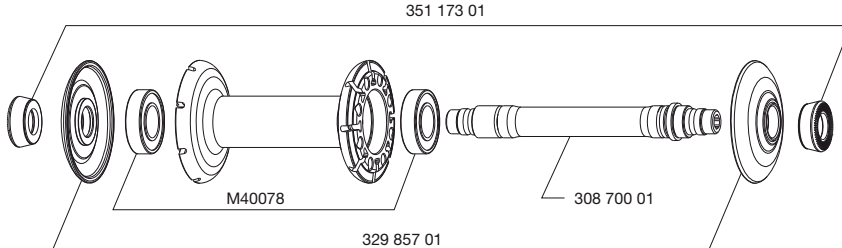
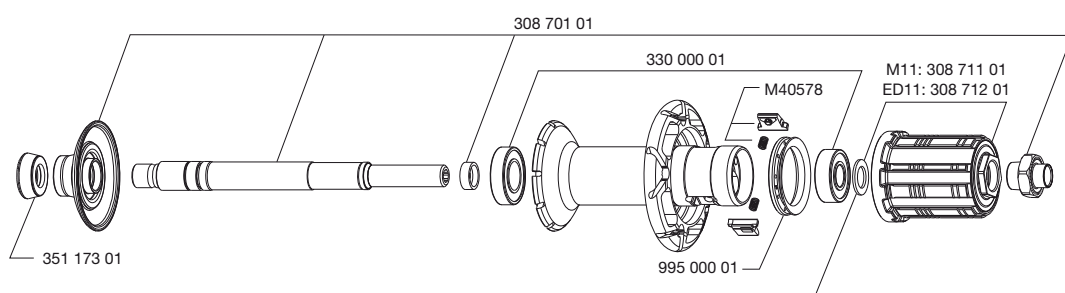
## WHEEL WEIGHT WITHOUT QUICK-RELEASE SKEWER AND WITHOUT CLINCHER

Front	730 g
Rear M11	905 g
Rear ED11	890 g

## WHEEL REFERENCES

Front	325 653 10
Rear M10	325 654 11
Rear ED11	325 655 12
Pair M10	325 656 14
Pair ED11	325 657 14

RIMS	SALES REFERENCES	Front: 309 724 10 Rear: 309 724 13
	 <b>Ø VALVE HOLE</b> Ø: 6.5 mm	 <b>RECOMMENDED TYRE WIDTH</b> Dimensions: ETRTO 622x13C Recommended clincher width: 19 to 25 mm
	<b>When replacing the rear rim:</b> <ol style="list-style-type: none"> <li>1. Refer to the label indicating the rolling direction to identify the drive side of the rim</li> <li>2. With the valve hole near you, the spoke in the first hole to the right of the valve hole is a non-traction spoke and should be inserted in the drive side.</li> </ol>	
	<b>EXALITH 2:</b> for efficient and long-lasting braking performance, use only the special Mavic® Exalith 2® brake pads supplied with your wheels. The use of other brake pads may be dangerous for the user and will lead to exclusion of the warranty. Please carefully read the "Exalith 2 Warning" provided with your wheels. Clean with a dry cloth or soapy water if necessary. The brake pads can be ordered separately using the following references 329 435 01 (HG, Sram, Mavic) and 329 436 01 (ED).	

HUBS	MAINTENANCE:
	Clean with a dry cloth or soapy water if necessary. Do not use a high-pressure washer.
	
	

WHEEL BUILDING	REFERENCES AND LENGTHS:	Front and rear non-drive side: 329 792 01, length 288 mm (per 8, nipples included) Drive side: 329 791 01, length 286 mm (per 10, nipples included)
<b>FEATURES:</b> Black, swaged, bladed, straight pull steel spokes with ABS type spoke nipples	<b>LACING PATTERN:</b> Front: radial Rear: 2-crossed drive side, radial non-drive side	<b>TENSION:</b> Front: 85 to 95 kg Rear drive side: 110 to 125 kg

ACCESSORIES	WHEELS SUPPLIED WITH:	MAINTENANCE
<ul style="list-style-type: none"> <li>• BR 601 front quick-release skewer M40149</li> <li>• BR 601 rear quick-release skewer M40150</li> <li>• Computer magnet M40540 (with front wheel)</li> <li>• Spoke wrench M40001 (with rear wheel)</li> <li>• 2 multifunction adjustment wrenches 325 423 01</li> <li>• Valve extender 118 952 01</li> <li>• Wheel bags M40135</li> <li>• Yksion Pro White GripLink 23 mm front clincher (328 351 23)</li> <li>• Yksion Pro White PowerLink 23 mm rear clincher (328 352 23)</li> <li>• Mavic butyl inner tubes (127 385 01)</li> <li>• Mavic brake pads for braking on Exalith 2 brake track: HG/Sram/Mavic 329 435 01 or ED 329 436 01</li> <li>• ED11 12D locking ring (with rear wheel ED11) 108 317 01</li> <li>• Wheel and clincher user guide</li> </ul>		<b>Specific tool:</b> <ul style="list-style-type: none"> <li>• Front bearing: M40120</li> <li>• Rear bearing: M40120 and 351 266 01</li> <li>• Spoke wrench: M40001</li> </ul>
		Refer to the website for quick and convenient access to maintenance information (replacement of an axle, bearings, free wheel, spokes, and rims) <a href="http://www.tech-mavic.com">www.tech-mavic.com</a>