

KSYRIUM EQUIPE S

Use: for road bike or cyclo-cross bike use only. Any other use (such as on a tandem or off-road bike...) is highly inadvisable, is the sole responsibility of the user and voids the Mavic warranty.

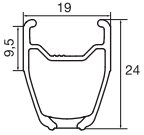


Recommended maximum weight of the cyclist and equipment: 100 kg.

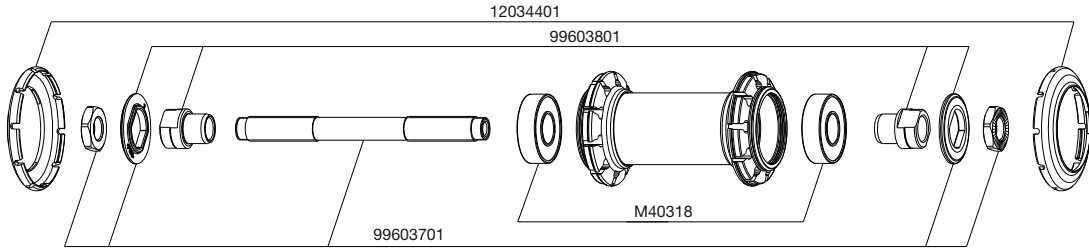
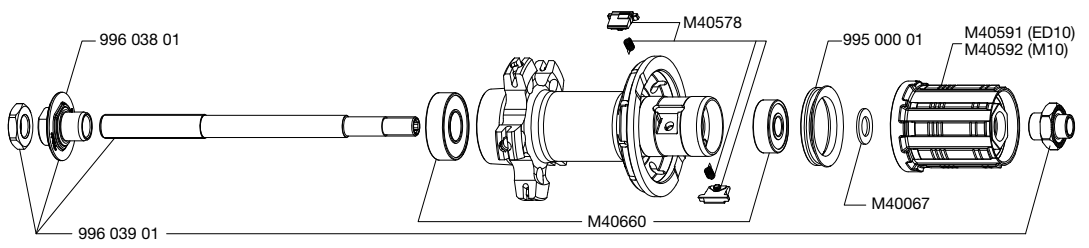
WHEEL WEIGHT WITHOUT QUICK-RELEASE SKEWER AND WITHOUT CLINCHER

Front	770 g
Rear M10	935 g
Rear ED11	920 g

WHEEL REFERENCES

	BLACK	WHITE
Front	325 778 10	325 791 10
Rear M10	325 779 11	325 792 11
Rear ED11	325 780 12	325 793 12
Pair M10	325 781 14	325 794 14
Pair ED11	325 782 14	325 795 14

RIMS	SALES REFERENCES	Black (Front and Rear): 120 214 15 White (Front and Rear): 120 212 15
	 <p>Ø VALVE HOLE Ø: 6.5 mm</p>	 <p>RECOMMENDED TYRE WIDTH Dimensions: 622x15C Recommended clincher width: 23 to 32 mm</p>

HUBS	MAINTENANCE: Clean with a dry cloth or soapy water if necessary. Do not use a high-pressure washer.	
		
		

WHEEL BUILDING	REFERENCES AND LENGTHS:	Front: 120 312 01, length 282 mm (per 10, integrated nipples) Drive side: 120 313 01, length 278 mm (per 10, integrated nipples) Non-drive side: 120 314 01, length 301 mm (per 10, integrated nipples)
FEATURES: Black, bladed steel spokes and front Self-Lock nipples and rear ABS nipples	LACING PATTERN: Front: radial Rear: Isopulse	TENSION: Front: 80 to 90 kg Rear drive side: 130 to 150 kg

ACCESSORIES	WHEELS SUPPLIED WITH:	MAINTENANCE
<ul style="list-style-type: none"> Conventional aluminum quick-release skewer on front M40350 Conventional aluminum quick-release skewer on rear M40351 Yksion Comp 23 mm front and rear clincher (325 934 23) Mavic butyl inner tubes (127 385 01) ED11 12D locking ring (with rear wheel ED11) 108 317 01 Wheel user guide 		<p>Specific tool:</p> <ul style="list-style-type: none"> Front bearing: M40373 Rear bearing: M40373 and M40120
<p>Refer to the website for quick and convenient access to maintenance information (replacement of an axle, bearings, free wheel, spokes, and rims) www.tech-mavic.com</p>		