

KSYRIUM SLR

Use: for road bike use only. Any other use (such as on a tandem, cyclo-cross bike, or off-road use...) is highly inadvisable, is the sole responsibility of the user and voids the Mavic warranty.

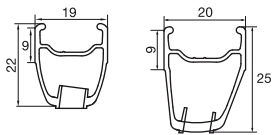



Recommended maximum weight of the cyclist and equipment: 100 kg.

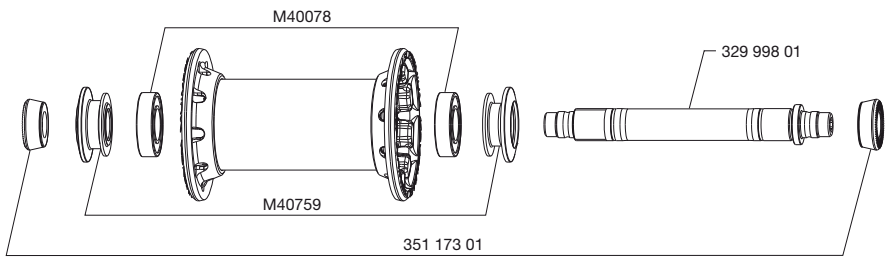
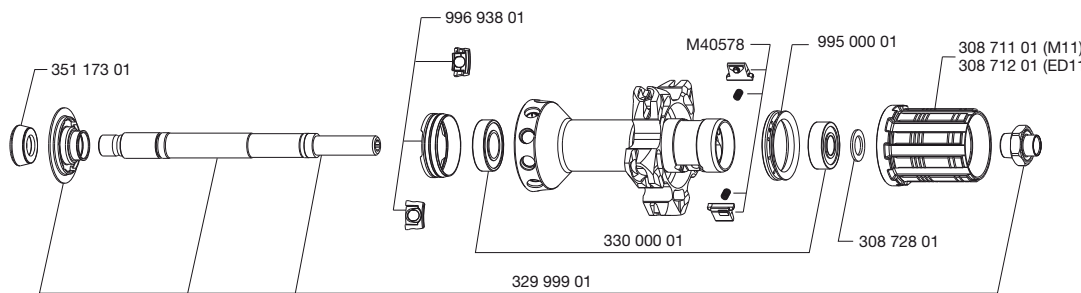
WHEEL WEIGHT WITHOUT QUICK-RELEASE SKEWER AND WITHOUT CLINCHER

Front 630 g
Rear M10 795 g
Rear ED11 780 g

WHEEL REFERENCES

Front 326 546 10
Rear M10 326 547 11
Rear ED11 326 548 12
Pair M10 326 549 14
Pair ED11 326 550 14

RIMS	SALES REFERENCES	Front: 120 208 10 Rear: 308 610 13
	 Ø VALVE HOLE Ø: 6.5 mm	 RECOMMENDED TYRE WIDTH Dimensions: ETRTO 622x15C Recommended clincher width: 23 to 32 mm
	When replacing the rear rim: <ol style="list-style-type: none"> With the valve hole near you, the two raised indicator bumps must be to the right of the valve hole. The spoke in the first hole to the right of the valve hole should be inserted in the drive side. 	
 EXALITH 2: for efficient and long-lasting braking performance, use only the special Mavic® Exalith 2® brake pads supplied with your wheels. The use of other brake pads may be dangerous for the user and will lead to exclusion of the warranty. Please carefully read the "Exalith 2 Warning" provided with your wheels. Clean with a dry cloth or soapy water if necessary. The brake pads can be ordered separately using the following references 329 435 01 (HG, Sram, Mavic) and 329 436 01 (ED).		

HUBS	MAINTENANCE:
Clean with a dry cloth or soapy water if necessary. Do not use a high-pressure washer.	
	
	

WHEEL BUILDING	REFERENCES AND LENGTHS:	Front: 120 302 01, length 284.5 mm (per 12, integrated nipples) Drive side: 120 294 01, length 294.5 mm (per 10, integrated nipples) Non-drive side: 120 295 01, length 283.7 mm (per 10, integrated nipples)
FEATURES: Front: black bladed, straight pull Zicral spokes with integrated and self-locking M7 nipples Rear drive side: black round, straight pull Zicral spokes with integrated, self-locking M7 nipples Rear non-drive side: carbon tubular spokes (Tracomp)		LACING PATTERN: Front: radial Rear: 2-cross lacing drive side, radial non-drive side, Tracomp system
		TENSION: Front: 110 to 130 kg Rear drive side: 90 to 110 kg

ACCESSORIES	WHEELS SUPPLIED WITH:	MAINTENANCE
<ul style="list-style-type: none"> BR 601 front quick-release skewer M40149 BR 601 rear quick-release skewer M40150 Removable computer magnet (with front wheel) 105 416 01 2 multifunction adjustment wrenches 325 423 01 Tracomp ring tool 996 080 01 Wheel bags M40135 ED11 12D locking ring (with rear wheel ED11) 108 317 01 Yksion Pro SSC GripLink 23 mm front clincher (325 930 23) Yksion Pro SSC PowerLink 23 mm rear clincher (325 931 23) Mavic butyl inner tubes (127 385 01) Mavic brake pads for braking on Exalith 2 brake track: HG/Sram/Mavic 329 435 01 or ED 329 436 01 Wheel and clincher user guide 		Specific tool: <ul style="list-style-type: none"> Front bearing: M40120 Rear bearing: M40120 and 351 266 01 Spoke wrench: 996 079 01
		Refer to the website for quick and convenient access to maintenance information (replacement of an axle, bearings, free wheel, spokes, and rims) www.tech-mavic.com
Never turn a Tracomp spoke nipple without having first removed the Tracomp rings from the hub, otherwise the spoke may be irreversibly damaged. Never fit a computer magnet other than the one supplied with the wheel. Only transport the wheels in the wheel bags supplied. Avoid side shocks to the Tracomp spokes.		