

# COSMIC CARBONE 80

**Use:** for road bike use only. Any other use (such as on a tandem, cyclo-cross bike, or off-road use...) is highly inadvisable, is the sole responsibility of the user and voids the Mavic warranty.

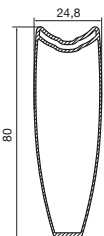


Recommended maximum weight of the cyclist and equipment: 100 kg.

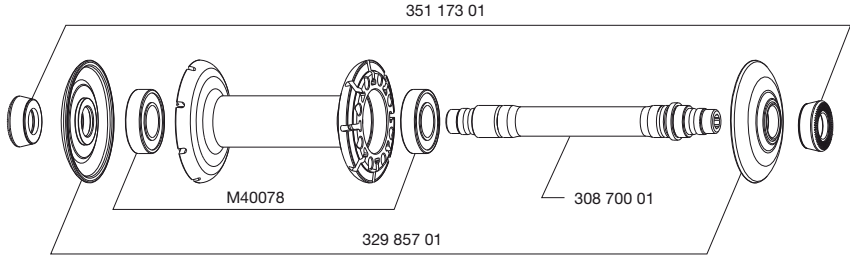
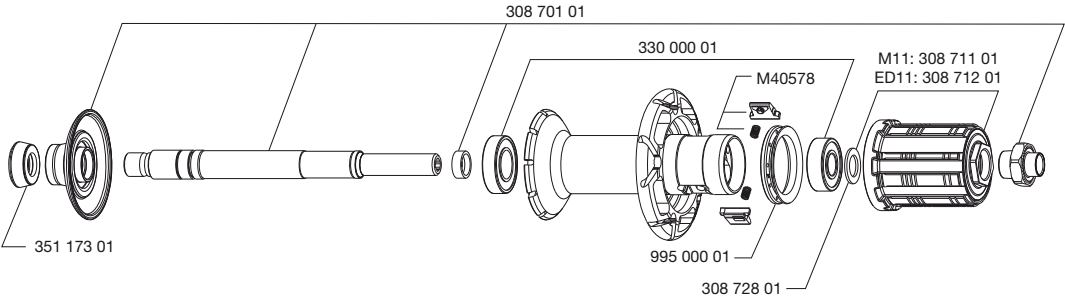
## WHEEL WEIGHT WITHOUT QUICK-RELEASE SKEWER AND WITHOUT TUBULAR

Front	725 g
Rear M11	930 g
Rear ED11	915 g

## WHEEL REFERENCES

Front	327 998 10
Rear M10	327 999 11
Rear ED11	328 000 12
Pair M10	328 001 14
Pair ED11	328 002 14

RIMS	SALES REFERENCES	Front: 329 769 10 Rear: 329 769 13
	 <b>Ø VALVE HOLE</b> Ø: 6.5 mm	 <b>RECOMMENDED TYRE WIDTH</b> Dimensions: ETRTO 633 Tubular Recommended tubular width: 19 to 28 mm
	<b>When replacing the rear rim:</b> 1. With the valve hole near you, turn the rim so that the "infobloc" label can be seen. 2. The first spoke to the right of the valve hole is a non-traction spoke and should be inserted in the drive side hub.	

HUBS	<b>MAINTENANCE:</b> Clean with a dry cloth or soapy water if necessary. Do not use a high-pressure washer.	
		
		

WHEEL BUILDING	<b>REFERENCES AND LENGTHS:</b> Front and rear non-drive side: 308 632 01, length 235 mm (per 8, nipples included) Drive side: 308 631 01, length 232 mm (per 10, nipples included)	
<b>FEATURES:</b> Black, swaged, bladed, straight pull steel spokes with ABS type spoke nipples	<b>LACING PATTERN:</b> Front: radial Rear: 2-crossed drive side, radial non-drive side	<b>TENSION:</b> Front: 60 to 70 kg Rear drive side: 100 to 110 kg

ACCESSORIES	<b>WHEELS SUPPLIED WITH:</b> <ul style="list-style-type: none"> <li>• BR 601 front quick-release skewer M40149</li> <li>• BR 601 rear quick-release skewer M40150</li> <li>• Computer magnet M40540 (with front wheel)</li> <li>• Spoke wrench M40001 (with rear wheel)</li> <li>• 2 multifunction adjustment wrenches 325 423 01</li> <li>• Valve extender 118 952 01</li> <li>• Wheel bags M40135</li> <li>• Yksion Pro GripLink front tubular (325 928 23)</li> <li>• Yksion Pro PowerLink rear tubular (325 929 23)</li> <li>• Mavic brake pads for braking on a carbon brake track: HG/Sram/Mavic 120 131 01 or ED 120 132 01</li> <li>• ED11 12D locking ring (with rear wheel ED11) 108 317 01</li> <li>• Wheel and tubular user guide</li> </ul>	MAINTENANCE
		<b>Specific tool:</b> <ul style="list-style-type: none"> <li>• Front bearing: M40120</li> <li>• Rear bearing: M40120 and 351 266 01</li> <li>• Spoke wrench: M40001</li> </ul>
Refer to the website for quick and convenient access to maintenance information (replacement of an axle, bearings, free wheel, spokes, and rims) <a href="http://www.tech-mavic.com">www.tech-mavic.com</a>		