

COSMIC CXR 60 (tubular version)

Use: for road bike use only. Any other use (such as on a tandem, cyclo-cross bike, or off-road use...) is highly inadvisable, is the sole responsibility of the user and voids the Mavic warranty.

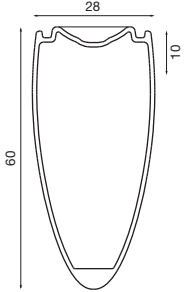
Recommended maximum weight of the cyclist and equipment: 100 kg.

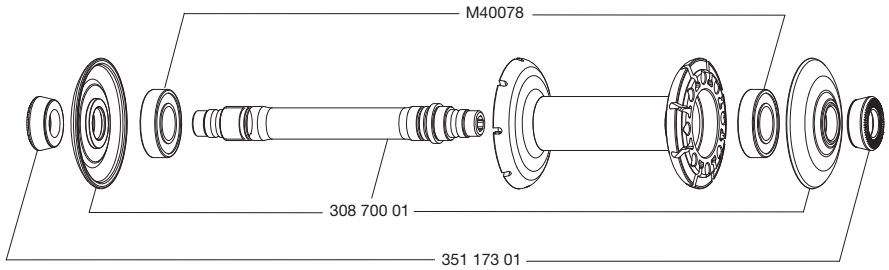
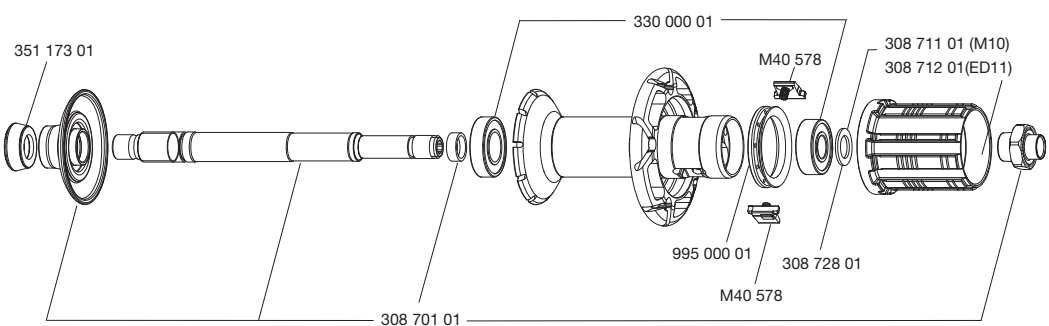
WHEEL WEIGHT WITHOUT QUICK-RELEASE SKEWER AND WITHOUT TUBULAR

Front	730 g
Rear M11	895 g
Rear ED11	880 g

WHEEL REFERENCES

Front	352 081 10
Rear M11	352 082 11
Rear ED 11	352 083 12
Pair M11	352 084 14
Pair ED11	352 085 14

RIMS	SALES REFERENCES
	Front: 329 793 10 Rear: 329 793 13
	Ø VALVE HOLE Ø: 6.5 mm
	RECOMMENDED TYRE WIDTH Dimensions: Ø 700 Tubular Tubular width: 23 mm
When replacing the rear rim: <ol style="list-style-type: none"> 1. With the valve hole near you, turn the rim so that the "infobloc" label can be seen. 2. The second spoke to the right of the valve hole is a non-traction spoke and should be inserted in the drive side hub. 	

HUBS	MAINTENANCE:
Clean with a dry cloth or soapy water if necessary. Do not use a high-pressure washer.	
	
	

WHEEL BUILDING	REFERENCES AND LENGTHS:
	Front and rear non-drive side: 329 796 01, length 255 mm (per 10, nipples included) Drive side: 329 795 01, length 252 mm (per 10, nipples included)
FEATURES: Black, swaged, bladed, straight pull steel spokes with steel ABS type spoke nipples	LACING PATTERN: Front: radial Rear: 2-crossed drive side, radial non-drive side
	TENSION: Front: 60 to 70 kg Rear drive side: 100 to 110 kg
ACCESSORIES	WHEELS SUPPLIED WITH:
<ul style="list-style-type: none"> • BR 601 front quick-release skewer M40149 • BR 601 rear quick-release skewer M40150 • Wheel bags M40135 • Mavic CXR specific brake pads for braking on a carbon brake track: HG/Sram/Mavic 128 443 01 or ED 128 444 01 • Valve extender 118 952 01 • Multifunction adjustment wrench 325 423 01 • Yksion CXR GripLink 23 mm front tubular (127 785 23) • Yksion CXR PowerLink 23 mm rear tubular (127 786 23) • CX01 blades 128 994 01 • ED11 12D locking ring (with rear wheel ED11) 108 317 01 • User manual • Sheet of Mavic stickers 	MAINTENANCE
	Specific tool: <ul style="list-style-type: none"> • Front bearing: M40120 • Rear bearing: M40120 & 351 266 01 • Spoke wrench: M40001
Refer to the website for quick and convenient access to maintenance information (replacement of an axle, bearings, free wheel, spokes, and rims) www.tech-mavic.com	