

CROSSROC WTS 29



Use: use only on a Cross-country or Cross-mountain MTB fitted with disc brakes. Any other use (such as on a tandem, road bike, cyclo-cross bike, free-ride or downhill bike...) is highly inadvisable, is the sole responsibility of the user and voids the Mavic warranty.

Recommended maximum weight of the cyclist and equipment: 100 kg.

WHEEL WEIGHT WITHOUT QUICK-RELEASE SKEWER AND WITHOUT TYRE

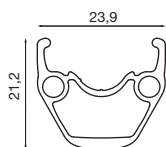
Front: 905 g
Rear: 1025 g

REFERENCES

Front: 353 028 10
Rear: 353 029 13
Pair: 353 030 14

RIMS

SALES REFERENCES: front and rear: 366 929 15



Ø VALVE HOLE
Ø: 6.5 mm

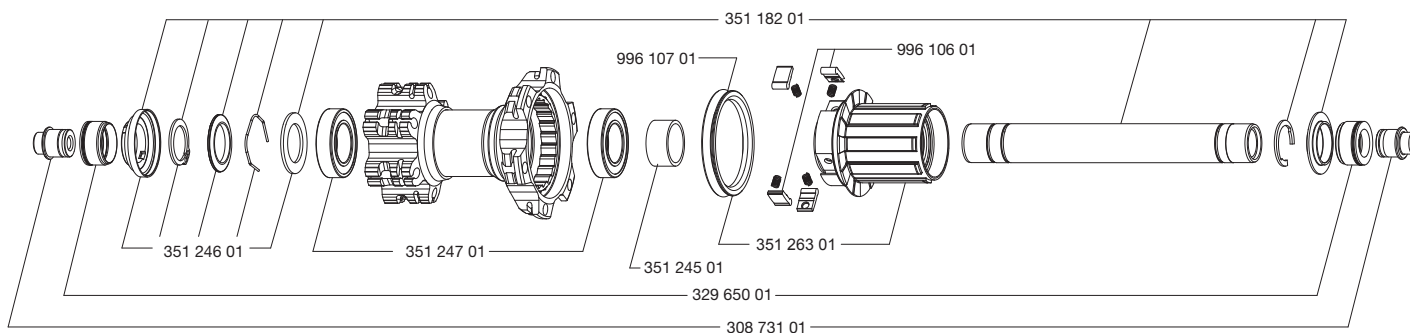
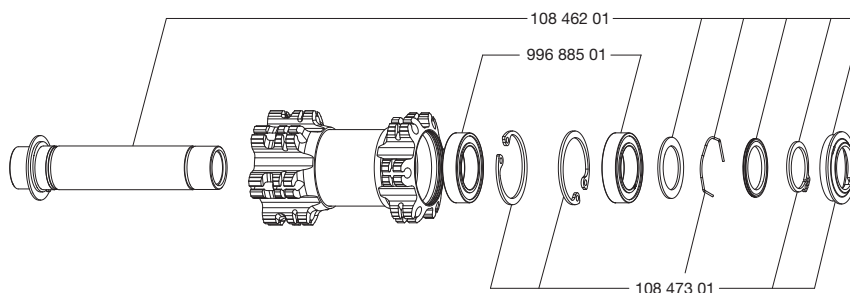


RECOMMENDED TYRE WIDTH

Dimensions: ETRTO 622x19C
Recommended clincher width: 1.5" to 2.3"

HUBS

MAINTENANCE: Clean with a dry cloth or soapy water if necessary. Do not use a high-pressure washer.



WHEEL BUILDING

REFERENCES AND LENGTHS:

Front and rear non-drive side: 366 895 01, length 295 mm (per 12, nipples included)
Rear drive side: 366 896 01, length 293 mm (per 12, nipples included)

FEATURES:

Black, swaged, bladed, straight pull steel spokes with steel ABS type spoke nipples

LACING PATTERN:

Front and rear: 2-cross lacing on both sides

TENSION:

Front: 105 to 120 kg
Rear drive side: 105 to 120 kg

ACCESSORIES

WHEELS SUPPLIED WITH:

- BR 101 rear quick-release skewer M40351
- Tubeless rim strip 19x622 (1 per wheel): 359 938 01
- 2 Removable round UST valves 129 838 01
- Rear Adapter 12=>9.5 mm 308 731 01
- Crossroc Roam front and rear clincher 29x2.20 (356 288 22)
- User manual

MAINTENANCE

Specific tool:

- Front bearing: 108 850 01 & 996 887 01
- Rear bearing: M40119

OPTIONS

- Front Adapters 9 mm + quick-release skewer: 996 941 01

Refer to the website for quick and convenient access to maintenance information (replacement of an axle, bearings, free wheel, spokes, and rims)
www.tech-mavic.com