



COMETE® Track Version

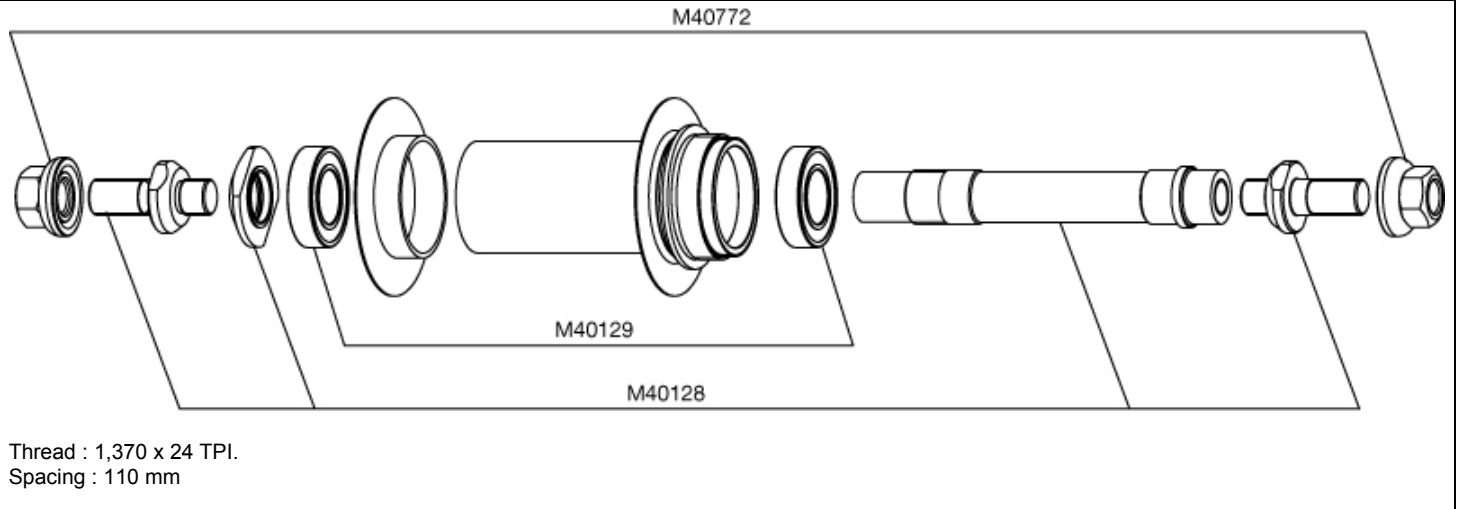
WHEEL WEIGHT WITHOUT FIXING BOLT : 980 g

Utilisation : Rear wheel only, to be used only on a track bike. Any other use (such as on a road bike, a tandem, Cyclo-Cross bike, mountain bike...) is strongly inadvisable, is the sole responsibility of the user and voids the Mavic warranty.

REFERENCE : 323 765 13

RIM	VALVE HOLE Ø	RECOMMENDED TIRE WIDTH AND PRESSURE
	 Ø : 6,5 mm Long. : ≥ 32 mm	 <p><u>Dimensions :</u> Tubular only Ø 700 only : 633 mm Recommended tire width : 19 à 28</p> <p><u>Recommended pressure :</u> See chart</p>

HUB	<p>MAINTENANCE: Clean with dry cloth or soap and water. Never use any solvents. Do not use pressurized water.</p>
------------	---



ACCESSORIES	<p>DELIVERED WITH:</p> <ul style="list-style-type: none"> • Fixing nuts M40772 • Wheel bag • User guide and warranty card
--------------------	---

MAINTENANCE	
<p>REPLACING THE AXLE AND BEARING :</p>	<ol style="list-style-type: none"> 1. Using two 15 mm flat wrenches, unscrew the end axle screws. Only one on the 2 shall be loosed so that the axle can get out of the hub; 2. To unscrew the second end axle screw, insert a 5 mm hexagonal wrench inside the axle from the side opposite to the remaining end axle screw, fasten the end axle screw with a 15 mm flat wrench and loosed it. 3. Remove the bearings and fit the new ones; 4. Repeat the first operation on the other way round.