

# CROSSMAX™ SLR



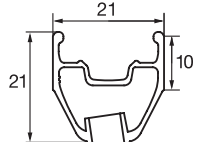

**USE:** Use only on a Cross Country MTB. Any other use (such as on a tandem, Cyclo-Cross bike, Cross Mountain, road bike, free-ride or downhill bike...) is strongly inadvisable, is the sole responsibility of the user and voids the Mavic warranty.

**WHEEL WEIGHTS WITHOUT QUICK RELEASE SKEWER:**

Front: 600 g  
Rear: 820 g

**WHEEL REFERENCES:**

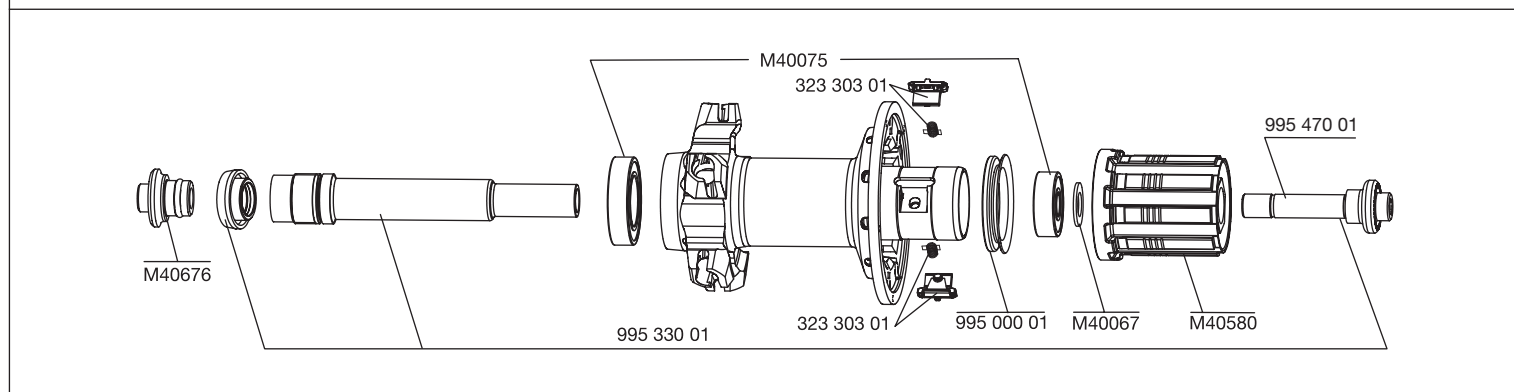
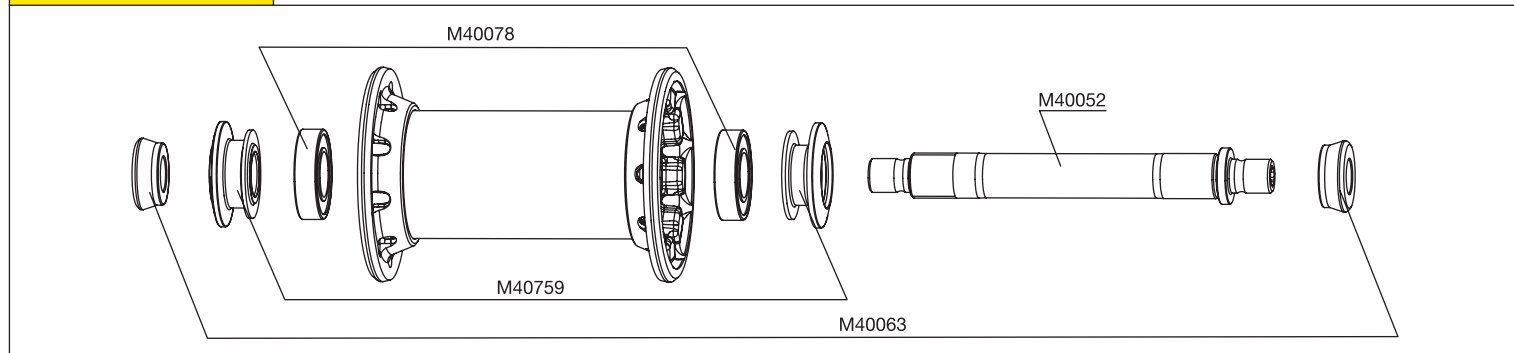
Front: 995 297 10  
Rear: 995 298 13  
Pair: 995 299 14

<b>RIMS</b>	<b>SALES REFERENCES:</b> Front: 995 383 10 Rear: 995 383 13	<b>RECOMMENDED TIRE WIDTH AND PRESSURE</b>  Dimensions: Ø 26" only ETRTO 559 x 17 and UST Tubeless compatible Recommended tire width: 1.0 to 2.1	 Recommended tire pressure: See page 17
<b>WIDTH</b> 	<b>VALVE HOLE Ø</b>  Ø: 6.5 mm Length: ≥ 32 mm	The instructions given in the UST user guide must be followed to the letter when fitting a UST Tubeless tire: wet the tire beads and rim tape using soapy water, check the 2 beads of the tire are correctly positioned at the bottom of the rim's central groove and across the base of the valve; then inflate the tire energetically until primary sealing is made.	

**When replacing the rear rim:**

1. With the valve hole near you, the 2 raised indicator bumps must be to the right of the valve hole;
2. The spoke in the 1st hole to the right of the valve hole should be inserted on the drive side into a marked hub hole.

<b>HUBS</b>	<b>MAINTENANCE:</b> Clean with a dry cloth or soap and water. Do not use pressurized water.
-------------	--



<b>WHEEL BUILDING</b>	<b>REFERENCES AND LENGTHS</b>	Front: 995 384 01, length 255 mm (per 9 + 1 red, integrated nipples) Rear drive side: 995 377 01, length 248 mm (per 12 + 1 red, integrated nipples) Rear non-drive side: 995 385 01, length 270.5 mm (per 10, integrated nipples)
-----------------------	-------------------------------	--

<b>FEATURES:</b> Black (1 red spoke per wheel), bladed, Zicral, straight pull spokes, sunk on the front wheel, with integrated M7 aluminum nipples (self-locking).	<b>LACING PATTERN:</b> Front: radial Rear: Isopulse		<b>TENSION:</b> Front: 100 to 130 kg Rear drive side: 115 to 150 kg
---	---	---	---

<b>ACCESSORIES</b>	<b>WHEELS SUPPLIED WITH:</b>	<b>MAINTENANCE</b>
<ul style="list-style-type: none"> <li>• BX 601 Titanium front quick release skewer 995 388 01</li> <li>• BX 601 Titanium rear quick release skewer 995 389 01</li> <li>• Removable UST valve 995 282 01</li> <li>• Wheel bags</li> <li>• Computer magnet M40540 (with front wheel)</li> <li>• M7 spoke wrench M40494 (with rear wheel)</li> <li>• Wrench for aerodynamic spokes M40567 (with rear wheel)</li> <li>• Free play adjustment wrench M40123 (with rear wheel)</li> <li>• User guide and warranty card</li> </ul>		<p>Replacing the front axle and bearings See 2003 TM page 17</p> <p>Replacing the rear axle See page 20</p> <p>Maintaining and replacing the free wheel mechanism See page 21</p> <p>Replacing the rear bearings See 2003 TM page 22</p> <p>Replacing a spoke See 2003 TM page 23</p> <p>Replacing the front rim See 2003 TM page 27</p> <p>Replacing the rear rim See 2006 TM page 17</p> <p>To quickly consult this information in a practical manner, refer to <a href="http://www.tech-mavic.com">www.tech-mavic.com</a></p>