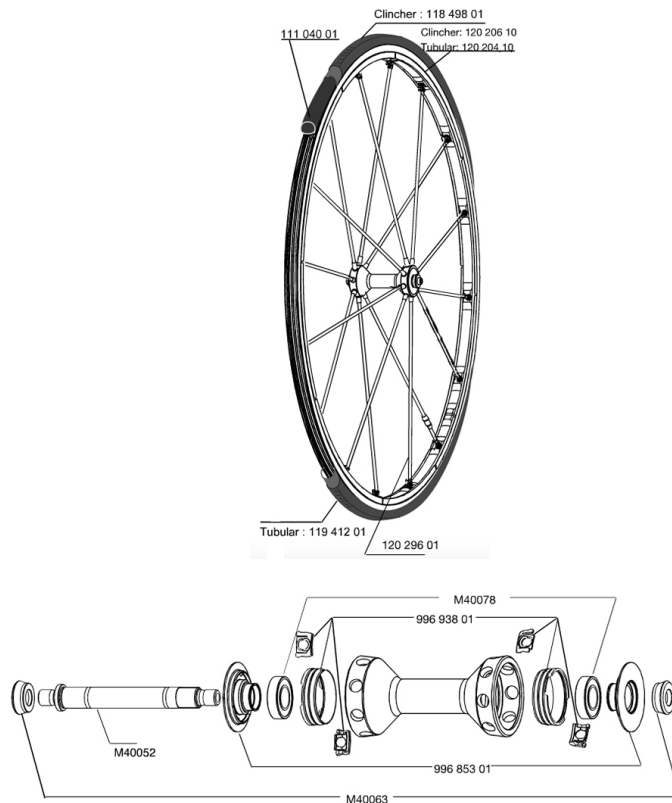


REFERENZEN RÄDER

120057	R-SYS SLR FRT WTS	120060	R-SYS SLR ED11 PR WTS
120058	R-SYS SLR TUBULAR FRT WTS	120061	R-SYS SLR TUBULAR M10 PR WTS
120059	R-SYS SLR M10 PR WTS	120062	R-SYS SLR TUBULAR ED11PR WTS



RIMS



&NBSP;:

12020410	FRONT R-SYS SLR TUBULAR RIM
12020610	FRONT R-SYS SLR CLINCHER RIM

SPOKES

12029601	9 BLACK FRONT SPOKES R-SYS SLR CLINCH. 285mm
99693801	2 SILVER TRACOMP RINGS + CLIPS

HUB SHELLS

99685301	ADJUSTING NUT+CAP R-SYS PREMIUM
M40078	FRONT HUB 6901 BEARINGS
M40063	2 FRONT AXLE FORK SUPPORT
M40052	FRONT HUB AXLE

MAINTENANCE

11104001	Chambres à air 48mm
----------	---------------------

TYRES

11849801	Yksion Griplink 23
11941201	Yksion Griplink Tubular 23 (boya)

MAVIC *R-Sys SLR*

Specifications

RADGEWICHTE