

ASTM CATEGORY 1 : road only

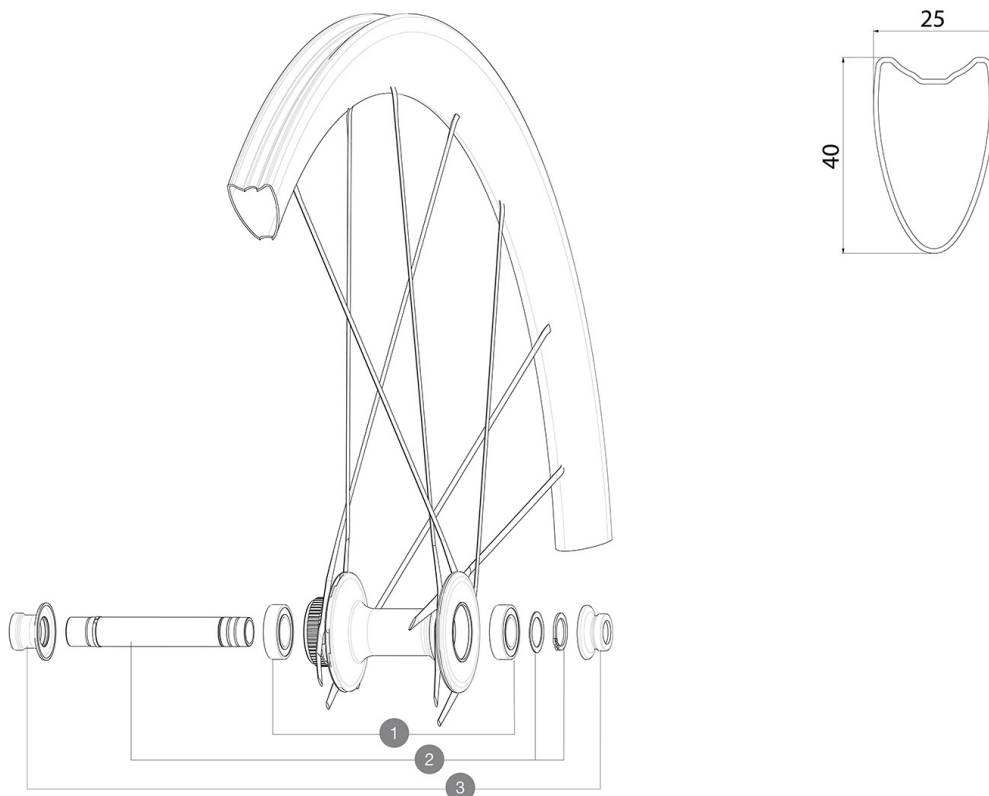
For a longer longevity of the wheel, Mavic recommends that the total weight supported by the wheels doesn't exceed 120kg, bike included

Recommended tyre sizes: 23 to 32 mm

Max. Pressure: see indication on wheel and tyre. If they differ, use the lowest of the 2  
Instant Drive 360-Freilaufkäfiger fÄ¼r Campagnolo N3W-Ritzelkassetten (LV4270100)

**REFERENZEN RÄ¼DER**

F90211 COS ULT T CL 700 12X100



**HUB SHELLS**

<b>1</b>	M40129	KIT 2 BEARINGS 6902 15x28x7
<b>2</b>	V2373301	KIT QRM AUTO FRONT AXLE 12mm > 2019

**ADAPTERS**

<b>3</b>	V2374701 V2680301	KIT FRONT ROAD FORK REST 12mm FOR J BENT DISC HUB "Kit Ft Road Adapter 12 >> 9mm"
----------	----------------------	--

## GELIEFERT MIT

User guide	
Computer magnet (105 416 01)	
Computer magnet (105 416 01)	
Computer magnet (105 416 01)	
Computer magnet (105 416 01)	
Front QR adapters (996 941 01 for MTB or B41 043 01 for road)	
Front QR adapters (996 941 01 for MTB or B41 043 01 for road)	
Front QR adapters (996 941 01 for MTB or B41 043 01 for road)	
Front QR adapters (996 941 01 for MTB or B41 043 01 for road)	
Rear QR adapters for Instant Drive 360 (B49 894 01)	
Rear QR adapters for Instant Drive 360 (B49 894 01)	
Rear QR adapters for Instant Drive 360 (B49 894 01)	
Rear QR adapters for Instant Drive 360 (B49 894 01)	
User guide	
User guide	
User guide	
User guide	
Front QR adapters (996 941 01 for MTB or B41 043 01 for road)	

## COMPATIBILITY

Freewheel: Shimano/Sram, convertible to Campagnolo and XD-R with optional driver bodies	
Freewheel: Shimano/Sram, convertible to Campagnolo and XD-R with optional driver bodies	
Freewheel: Shimano/Sram, convertible to Campagnolo and XD-R with optional driver bodies	
VR-Achse: 12-mm-Steckachse, mit optionalen Adaptern einfach auf Schnellspanner umrÄ¼stbar. Nicht umrÄ¼stbar auf 15-mm-Steckachse.	
Front axle: 12x100 thru axle, easily convertible to quick release with included adapters. Not compatible with 15mm through axles.	
VR-Achse: 12x100-mm-Steckachse, einfach umrÄ¼stbar auf Schnellspanner mittels optionaler Adapter. Nicht kompatibel mit 15-mm-Steckachsen.	
HR-Achse: 12x142-mm-Steckachse, umrÄ¼stbar auf Schnellspanner (mit optionalen Adaptern und Austauschachse)	
VR-Achse: 12x100-mm-Steckachse, einfach umrÄ¼stbar auf Schnellspanner mittels optionaler Adapter. Nicht kompatibel mit 15-mm-Steckachsen.	
Rear axle: 12mm thru axle, convertible to Quick Release with included adapters	
Freewheel: Shimano/Sram, convertible to Campagnolo and XD-R with optional driver bodies	
Freewheel: Shimano/Sram, convertible to Campagnolo and XD-R with optional driver bodies	
VR-Achse: 12x100-mm-Steckachse, einfach umrÄ¼stbar auf Schnellspanner mittels optionaler Adapter. Nicht kompatibel mit 15-mm-Steckachsen.	
VR-Achse: 12x100-mm-Steckachse, einfach umrÄ¼stbar auf Schnellspanner mittels optionaler Adapter. Nicht kompatibel mit 15-mm-Steckachsen.	
ID360 Shimano / Sram freewheel body (LV3430100) - Delivered on the wheel	
QRM Auto QualitÄ© de Roulements Mavic Auto Our latest innovation. Those cartridge bearings are of course double sealed with C3 internal clearance. Their preload is automatically adjusted to guarantee a perfect spin with no play on the long run.	
Instant Drive 360 The new Instant Drive 360 freewheel system is super light and fast to engage with only 9Ä°. A large contactless rubber seal provides low friction, while a wide array of end caps makes it super	