

## ASTM CATEGORY 3 : CROSS COUNTRY

For a longer longevity of the wheel, Mavic recommends that the total weight supported by the wheels doesn't exceed 150kg, bike included

Recommended tyre sizes: 50mm to 76mm (2.0" to 3.0")

Maximum tyre pressure: 4.1bar/59PSI with a 28mm tyre - 2.45bar/36PSI with a 64mm tyre

HR-Achsstummel 12x135 mm (V2510901)

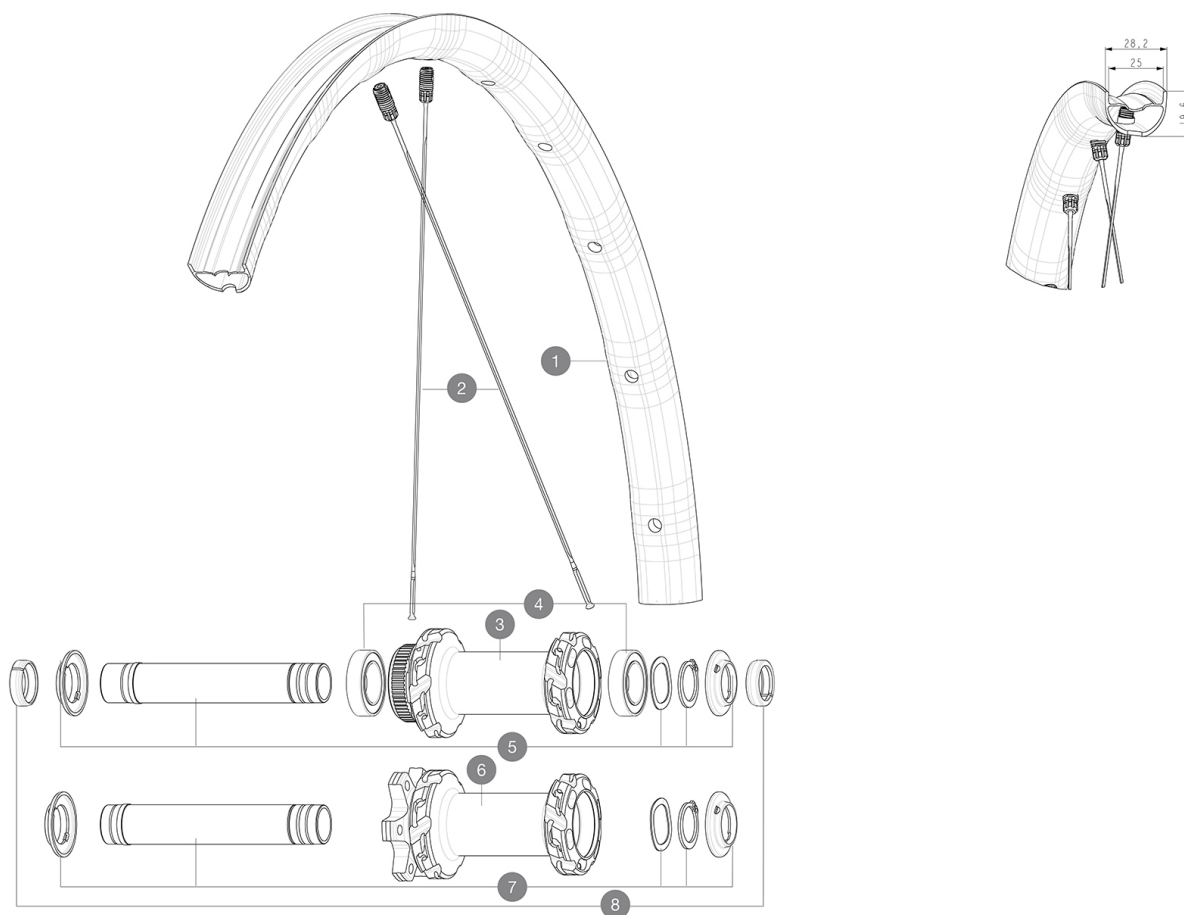
Recommended tire sizes: 28 to 64 mm (1.1" to 2.5")

Boost : Torque Caps ([LV2374400])

## REFERENZEN RÄDER

F90443 XMAX SLS INT 29 BST

F91963 XMAX SLS CL 29 BST



## RIMS



&NBSP::

1 V3765815 Kit Front/Rear rim Crossmax SLS 29"

## SPOKES

2 V2388301 Kit 12 Front/Rear Crossmax SL/SLS/XL/XLS 29" butted spoke 2

## HUB SHELLS

3	N/A	NABENKÖRPER
4	V2500901	KIT BEARINGS 18x30x7 + WAVED WASHER + CLIP
5	V2375601	Kit 110mm axle QRM auto MTB from 2019 DCL
6	N/A	NABENKÖRPER
7	V2372401	KIT 110mm AXLE QRM AUTO MTB > 2019

## OPTIONS

V2374401 TORQUE CAPS 15\*31 Adapter MTB QRM Auto > 2019 Frt HUB

## ADAPTERS

8	V2372501	15mm MTB Axle Cap QRM Auto From 2019
	99694101	2 REDUCERS 15/9mm

## GELIEFERT MIT

Bedienungsanleitung	
2 replacement spokes with each wheel	
UST valve and accessories (129 838 01)	
UST valve and accessories (129 838 01)	
UST valve and accessories (129 838 01)	
UST valve and accessories (129 838 01)	
Multifunction adjustment wrench (delivered with rear wheel) (325 423 01)	
Multifunction adjustment wrench (delivered with rear wheel) (325 423 01)	
Multifunction adjustment wrench (delivered with rear wheel) (325 423 01)	
Multifunction adjustment wrench (delivered with rear wheel) (325 423 01)	
Bedienungsanleitung	
UST valve and accessories (129 838 01)	
2 replacement spokes with each wheel	
Multifunction adjustment wrench (delivered with rear wheel) (325 423 01)	
2 replacement spokes with each wheel	
2 replacement spokes with each wheel	
2 replacement spokes with each wheel	
Fore adjustment wrench	

## COMPATIBILITY

Freewheel: Shimano HG9, XD or Micro Spline	
Front axle: 15x110 Boost thru axle	
Rear axle: 12x148 Boost thru axle	
Freilaufkörper: SHIMANO HG MTB Stahl-konverter (Kit V3790101 separat erhältlich)	
Freilaufkörper: SHIMANO HG MTB Stahl-konverter (Kit V3790101 separat erhältlich)	
Boost & Non-Boost: VR-Adapter 20>15 mm/Steckachse (12982801)	
VR-Achse: nur f $\frac{1}{4}$ r Schraubmuttern (im Lieferumfang enthalten), M10x1-Gewinde	
Adapter Hinterachse: 12x148 umwandelbar in 9x141 (Kit V2510801 separat erhältlich)	
Adapter Hinterachse: 12x148 umwandelbar in 9x141 (Kit V2510801 separat erhältlich)	
Rear axle: 12x148 Boost thru axle	
Front axle: 15x110 Boost thru axle	
Front axle: 15x110 Boost thru axle	
Freewheel: Shimano HG9, XD or Micro Spline	
Freewheel: Shimano HG9, XD or Micro Spline	
Rear axle: 12x148 Boost thru axle	
Front axle: convertible from 15mm thru axle to Quick Release with adapters (delivered with non-boost wheel)	
VR-Achse: nur f $\frac{1}{4}$ r Schraubmuttern (im Lieferumfang enthalten), M10x1-Gewinde	