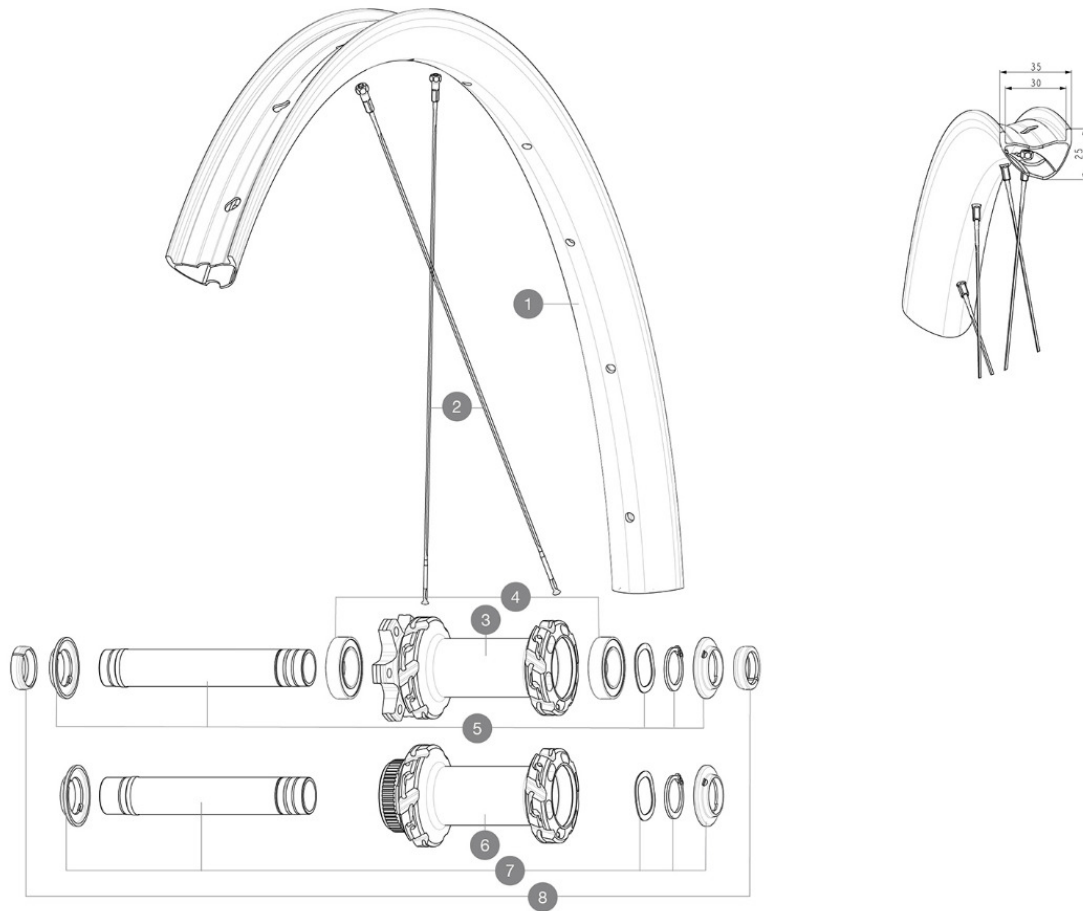


**MAVIC** **Crossmax SL Ultimate 30 29****REFERENZEN RÄDER**

ASTM CATEGORY 3 : CROSS COUNTRY

For a longer longevity of the wheel, Mavic recommends that the total weight supported by the wheels doesn't exceed 120kg, bike included

Recommended tyre sizes: 50mm to 76mm (2.0" to 3.0")

**RIMS**

&amp;NBSP;:

|          |           |  |
|----------|-----------|--|
| <b>1</b> | V00004631 | Kit Front/Rear rim Crossmax SL Ultimate 30 |
|          | V3750101  | 35mm UST Green Tape for 30mm wide rims     |

**SPOKES**

|          |           |  |
|----------|-----------|--|
| <b>2</b> | V2389101  | Kit 12Fr/Rr XmaxSL Ultimate spk293+np&w while stock last |
| <b>2</b> | V00065231 | Kit12Fr/Rr MTBcarb29 ss spk293                           |

**HUB SHELLS**

|          |          |  |
|----------|----------|--|
| <b>3</b> | N/A      | NABENKÖRPER                                |
| <b>4</b> | V2500901 | KIT BEARINGS 18x30x7 + WAVED WASHER + CLIP |
| <b>5</b> | V2372401 | KIT 110mm AXLE QRM AUTO MTB > 2019         |
| <b>6</b> | N/A      | NABENKÖRPER                                |
| <b>7</b> | V2375601 | Kit 110mm axle QRM auto MTB from 2019 DCL  |

**OPTIONS**

|          |   |
|----------|---|
| V2374401 | TORQUE CAPS 15*31 Adapter MTB QRM Auto > 2019 Frt HUB |
|----------|---|

**ADAPTERS**

|          |          |                                      |
|----------|----------|--------------------------------------|
| <b>8</b> | V2372501 | 15mm MTB Axle Cap QRM Auto From 2019 |
|          | 99694101 | 2 REDUCERS 15/9mm                    |

**GELIEFERT MIT**

|   |  |
|---|--|
| UST valve and accessories<br>(129 838 01)                                   |  |
| Pre-installed tubeless rim tape   |  |
| Multifunction adjustment wrench (delivered with rear wheel)<br>(325 423 01) |  |
| Wheelbag<br>(V24 801 01)  |  |
| 2 replacement spokes with each wheel  |  |

**COMPATIBILITY**

|  |  |
|--|--|
| Freewheel: Shimano HG9, XD or Micro Spline |  |
| Rear axle: 12x148 Boost thru axle          |  |
| Front axle: 15x110 Boost thru axle         |  |

**Specifications****FELGEN**

- **Material** : 100% carbon fiber
  - **Drilling** : traditional
  - **Internal width** : 30 mm
- Hookless profile
- **ETRTO size 29"** : 622x30TSS
- UST Tubeless Ready

**SPEICHEN**

- **Material** : steel
- **Shape** : straight pull, flat, double butted
- **Nipples** : aluminum, ABS
- **Count** : 24 front and rear
- **Lacing** : front and rear crossed 2

**RADNABE**

Auto adjust sealed cartridge bearings (QRM Auto), front and rear

- **Freewheel** : Instant Drive 360 double ratchet system

Hub available with 6-bolt or center lock (R) brake rotors

- **Axles** : Front 15X110 Boost ; Rear 12X148 Boost
- Instant Drive 360  
QRM Auto

**VERSIONS**

- **Disc standard** : 6 Bolts or Center Lock (R)
- **Hub width** : Boost only (front 110, rear 148)
- **Freewheel** : SRAM XD, Shimano HG9, Shimano Micro-Spline

**RADGEWICHTE**