

ASTM CATEGORY 4 : ENDURO AND TRAIL RIDING

For a longer longevity of the wheel, Mavic recommends that the total weight supported by the wheels doesn't exceed 150kg, bike included

Recommended tyre sizes: 60mm to 76mm (2.35" to 3.0")

Maximum tyre pressure: 2.95bar/43PSI with a 52mm tyre - 1.55bar/22PSI with a 125mm tyre

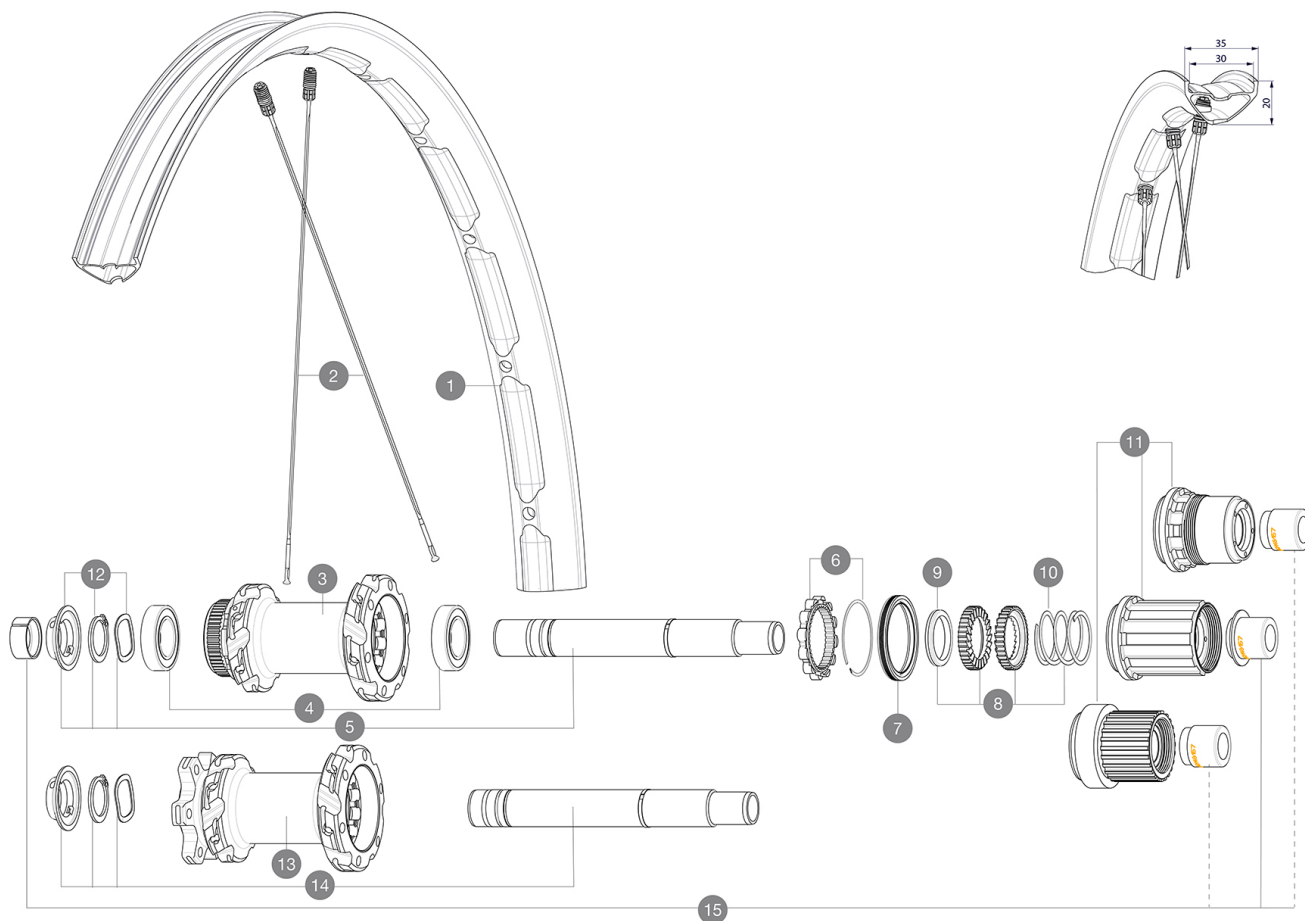
Mindestgröße des Reifens: Breite 52mm - max. Druck 2.95Bar/43PSI

Non-Boost : 12 to 9mm rear adapter for quick release (V2510801) - Delivered with the wheel

REFERENZEN RÄDER

R37083 XMAX XLS INT 29 BST HG
R37773 XMAX XLS INT 29 BST XD

R39163 XMAX XLS CL 29 BST MS



RIMS



&NBSP::

1 V3765915 Kit Front/Rear rim Crossmax XLS 29"

SPOKES

2 V2388301 Kit 12 Front/Rear Crossmax SL/SLS/XL/XLS 29" butted spoke 2

HUB SHELLS

3	N/A	NABENKÖRPER
4	M40076	HUB BEARINGS 17x30x7 6903 x 2
5	V2375701	Kit ID360 148 DCL axle with circlip
6	V2252701	KIT ID360 INSERT SHAPED EAR LOBE > 2017
7	V00063631	Kit ID360 seal version 2 (larger)
8	V2375201	KIT ID360 24 TEETH 2 RATCHET + MTB SPRING + PAD (specific)
9	V2375401	KIT ID360 MTB 24T 3 NOISE REDUCING PADS
10	V2372901	KIT 3 ID360 MTB SPRINGS
11	V3990101	MicroSpline MTB Freewheel Body ID360
11	V3780101	HG9 Alloy MTB Freewheel Body ID360
11	V3740101	XD MTB Freewheel Body ID360
12	V2373001	KIT ADJUST. SYSTEM QRM AUTO ID360 for 17x30x7 bearing
13	N/A	NABENKÖRPER
14	V2372201	KIT ID360 148 D6T AXLE WITH CLIP

OPTIONS

8 V2372801 KIT ID360 2x40 TEETH RATCHETS + MTB SPRING + GREASE + PAD

ADAPTERS

15 V2510701 ID360 EVO REAR AXLE ADAPTERS 12x142mm DCL & D6T
V2510801 ID360 EVO REAR AXLE ADAPTERS 9x135mm DCL & D6T

MAVIC CROSSMAX XL S 29

2021
REAR

GELIEFERT MIT

Bedienungsanleitung	
2 replacement spokes with each wheel	
UST valve and accessories (129 838 01)	
UST valve and accessories (129 838 01)	
UST valve and accessories (129 838 01)	
UST valve and accessories (129 838 01)	
Multifunction adjustment wrench (delivered with rear wheel) (325 423 01)	
Multifunction adjustment wrench (delivered with rear wheel) (325 423 01)	
Multifunction adjustment wrench (delivered with rear wheel) (325 423 01)	
Multifunction adjustment wrench (delivered with rear wheel) (325 423 01)	
Bedienungsanleitung	
UST valve and accessories (129 838 01)	
2 replacement spokes with each wheel	
Multifunction adjustment wrench (delivered with rear wheel) (325 423 01)	
Fore adjustment wrench	
2 replacement spokes with each wheel	
2 replacement spokes with each wheel	
2 replacement spokes with each wheel	

COMPATIBILITY

Freewheel: Shimano HG9, XD or Micro Spline	
Front axle: 15x110 Boost thru axle	
Rear axle: 12x148 Boost thru axle	
Freilaufkörper: SHIMANO HG MTB Stahl-konverter (Kit V3790101 separat erhältlich)	
Freilaufkörper: SHIMANO HG MTB Stahl-konverter (Kit V3790101 separat erhältlich)	
Boost & Non-Boost: VR-Adapter 20>15 mm/Steckachse (12982801)	
VR-Achse: nur f¼r Schraubmuttern (im Lieferumfang enthalten), M10x1-Gewinde	
Adapter Hinterachse: 12x148 umwandelbar in 9x141 (Kit V2510801 separat erhältlich)	
Adapter Hinterachse: 12x148 umwandelbar in 9x141 (Kit V2510801 separat erhältlich)	
Freewheel: Shimano HG9, XD or Micro Spline	
Rear axle: 12x148 Boost thru axle	
Rear axle: 12x148 Boost thru axle	
Front axle: 15x110 Boost thru axle	
Front axle: 15x110 Boost thru axle	
Freewheel: Shimano HG9, XD or Micro Spline	
Front axle: convertible from 15mm thru axle to Quick Release with adapters (delivered with non-boost wheel)	
VR-Achse: nur f¼r Schraubmuttern (im Lieferumfang enthalten), M10x1-Gewinde	