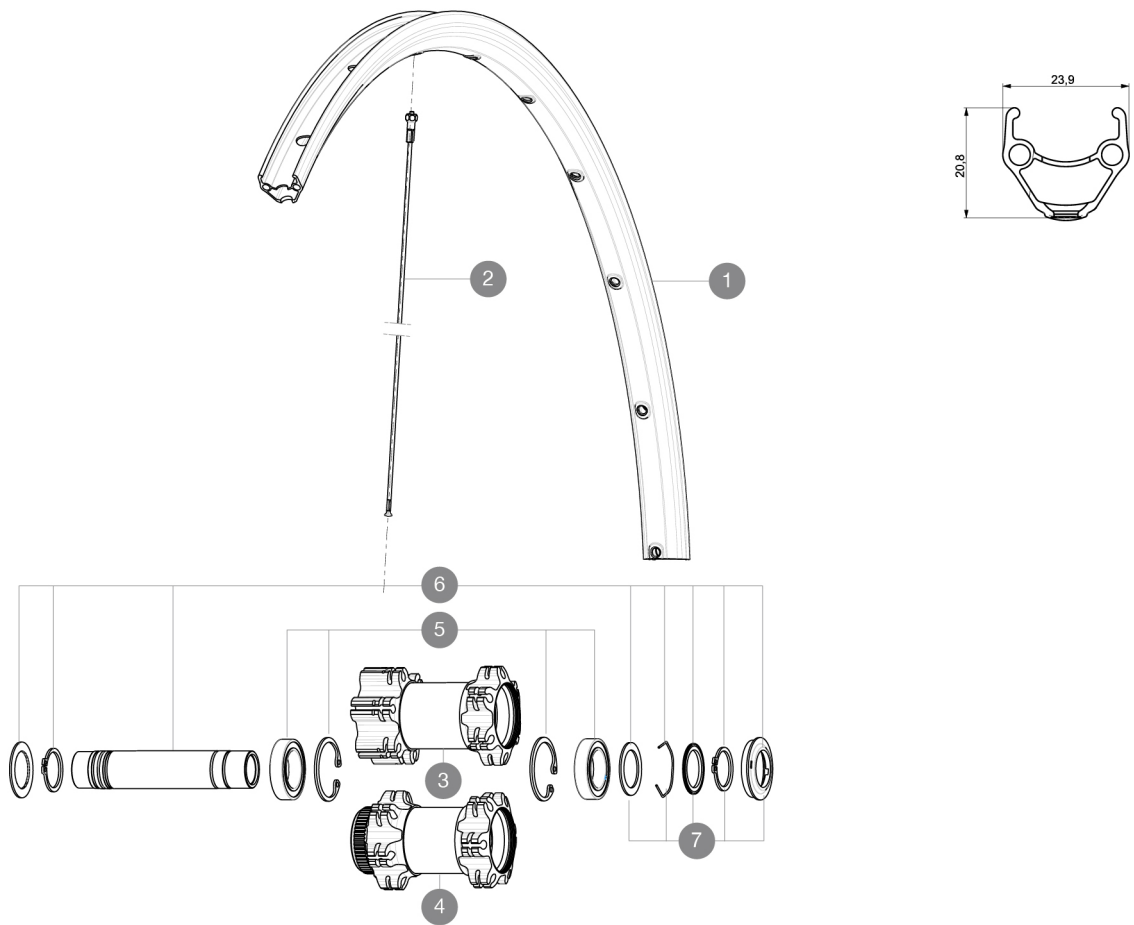


REFERENCES WHEELS

F18001	Aksium One DiscFt CL	F04701	Aksium One Disc Ft INT
--------	----------------------	--------	------------------------



RIMS



VALVE HOLE \varnothing (MM): 6.5 :

1	V2290815	KIT FRT/REAR RIM AKSIUM ONE DISC/AKSIUM DISC
---	----------	--

SPOKES

2	36690301	"KIT 12 FT/NDS XONE/XMAX - XA 29"/AKSIUM DISC 9 + 12 FT/AKS
---	----------	---

HUB SHELLS

3	N/A	HUB BODY
4	N/A	HUB BODY
5	99688501	BEARING KIT 9/12/15 D6T HUB 20x32x7 6804
6	V2371101	KIT FRONT QRM AXLE 100mm/BOOST 110mm
6	V2370101	KIT FRONT AXLE 15MM CROSSONE/-RIDE/-ROC - while stock last
7	V2370301	KIT FRONT AUTO ADJUSTING PLAY 15mm AXLE

MAVIC Aksium One Disc

DELIVERED WITH

BR101 quick releases	
Rim tape	
Front QR adapters	
User guide	

Specifications

RIMS

- **Material** : S6000 Aluminum
- **Height** : 22mm
- **Joint** : pinned
- **Drilling** : traditional with H2 reinforcement
- Disc brake specific profile
- **Valve hole diameter** : 6.5 mm
- **Tyre** : clincher
- **ETRTO size** : 622x17C
- **Recommended tyre sizes** : 25 to 52 mm

SPOKES

- **Material** : steel
- **Shape** : straight pull, round
- **Nipples** : brass, ABS
- **Count** : 24 front and rear
- **Lacing** : front and rear crossed 2

WHEEL HUB

- **Front and rear bodies** : aluminum
- **Body** : aluminum
- **Axle material** : front aluminum, rear steel
- Sealed cartridge bearings
- **Freewheel** : FTS-L steel

WHEEL WEIGHTS

Wheel weight 890