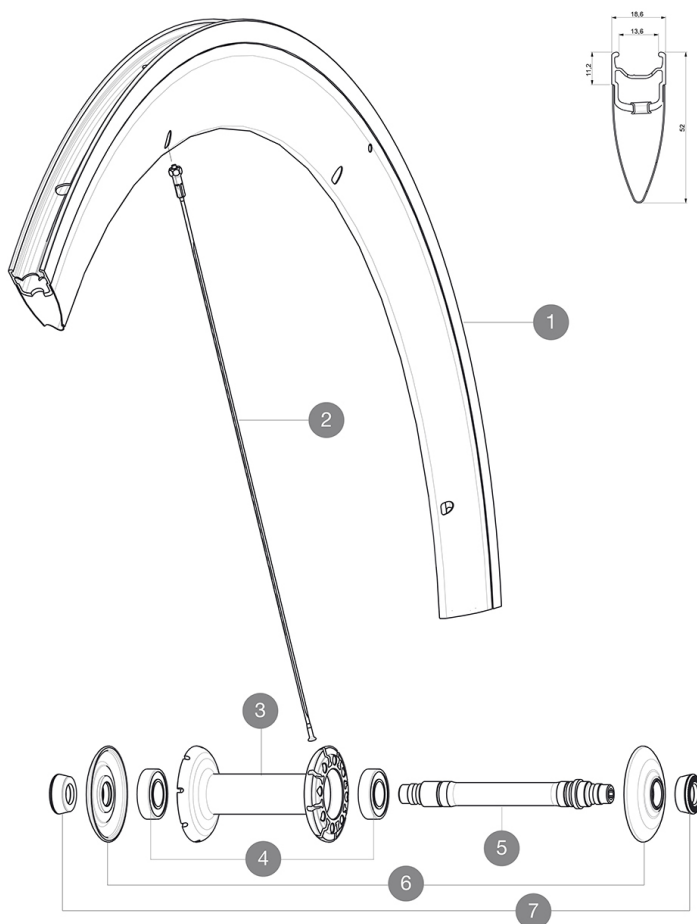


## REFERENCES WHEELS



### RIMS



&NBSP;:

1 12017110 KIT FRONT COSMIC CARBONE SL 11 RIM

### SPOKES

2 36644501 KIT 10 FT/NDS COSMIC CARBON SLS BLK SPK 289mm

### HUB SHELLS

3	N/A	HUB BODY
4	M40078	FRONT HUB BEARINGS 6901 x 2
5	30870001	FRONT AXLE ROAD RIM BRAKING QRM +
6	32985701	HUB CAP & ADJUSTING NUT CXR 80

### ADAPTERS

7 35117301 FT/RR FORK REST R-SYS/CC ULTIMATE > 2013/KSY PRO CARB T

**MAVIC** *Cosmic Carbone SLS***DELIVERED WITH**

BR601 quick releases	
Multifonction adjustment wrench	
User guide	

**Specifications****RIMS**

- **Material** : Maxtal and 12K carbon fiber
- **Height** : 52 mm
- **Joint** : SUP
- **Drilling** : traditional
- **Brake track** : UB Control
- **Weight reduction** : ISM
- **Valve hole diameter** : 6.5 mm
- **Tyre** : clincher
- **ETRTO size** : 622x13C
- **Recommended tyre sizes** : 19 to 28 mm

**SPOKES**

- **Material** : steel
- **Shape** : straight pull, bladed
- **Nipples** : brass, ABS
- **Count** : front 16, rear 20
- **Lacing** : radial front and rear non-drive side, crossed 2 rear drive side

**WHEEL HUB**

- **Front and rear bodies** : aluminum
  - **Axle material** : aluminum
- Adjustable sealed cartridge bearings
- **Freewheel** : FTS-L steel

**WHEEL WEIGHTS**

765