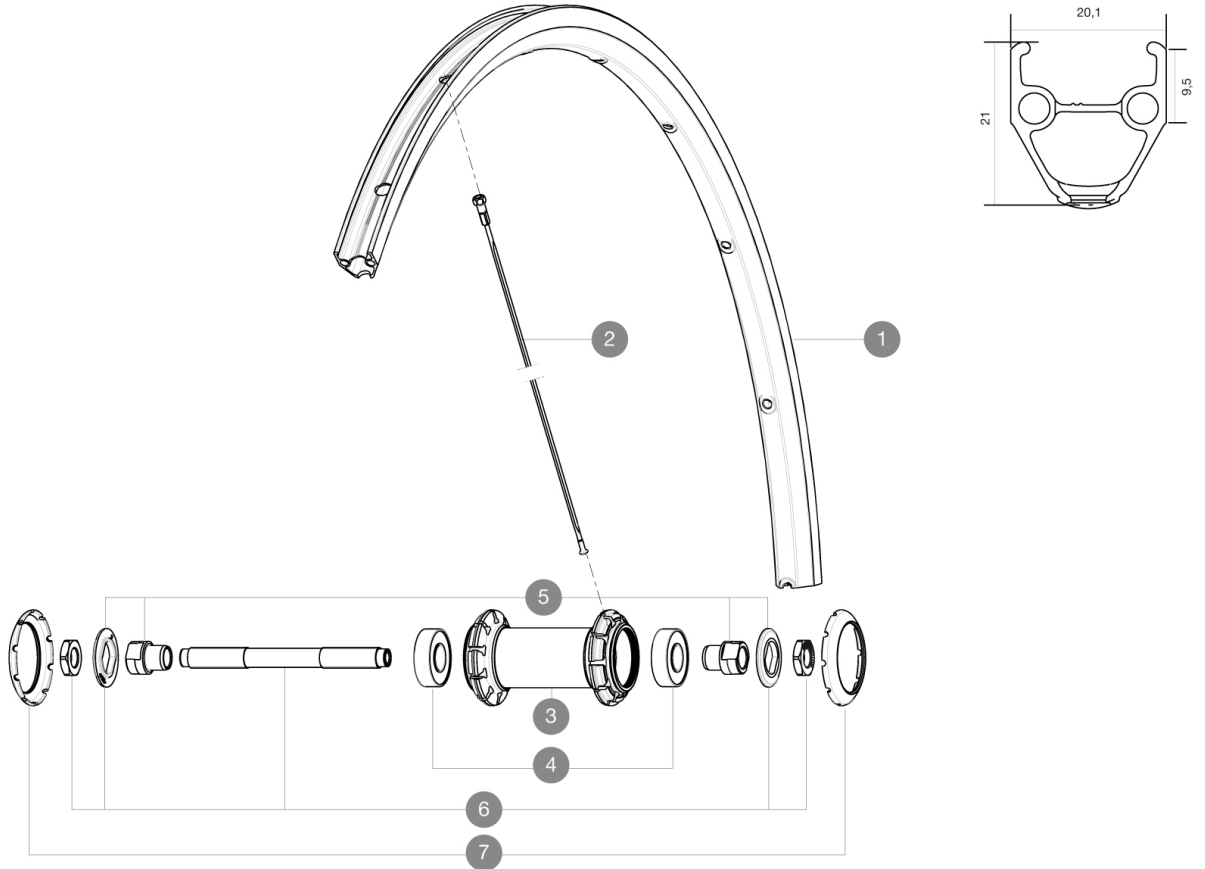


ASTM CATEGORY 1 : road only  
Recommended weight limit : 120kg  
Recommended tire sizes: 25 to 32 mm  
Max. Pressure: 23mm 8.7 bars - 125 psi, 25/28mm 7.7 bars - 110 psi

## REFERENCES WHEELS

|        |                  |        |              |
|--------|------------------|--------|--------------|
| F52701 | Aksium RS SMU Ft | F71901 | Aksium RS Ft |
|--------|------------------|--------|--------------|



## RIMS



VALVE HOLE  $\bar{A}$  (MM): 6,5 :

|   |          |                           |
|---|----------|---------------------------|
| 1 | V2403015 | KIT FRONT/REAR RIM AKSIUM |
|---|----------|---------------------------|

## SPOKES

|   |          |   |
|---|----------|---|
| 2 | V2272701 | KIT 10 FT/NDS AKSIUM RND SPK 283mm (OEM only) |
|---|----------|---|

## HUB SHELLS

|   |          |  |
|---|----------|--|
| 4 | M40318   | KIT 2 HUB BEARINGS 6001                  |
| 5 | 99603801 | SHORT EXPENSIBLE BEARING SUPPORTS > 2008 |
| 6 | 99603701 | FRONT AXLE QRM ROAD 2008                 |
| 7 | 12034401 | KIT 3 HUB CAPS AERO 10 SLOTS BLACK       |

## DELIVERED WITH

|   |   |
|---|---|
| BR101 quick releases<br>(M40350 firt, M40351 rear road, M40352 rear MTB)<br>1 |  |
| BR101 quick releases<br>(M40350 firt, M40351 rear road, M40352 rear MTB)<br>1 |  |
| Rim tape  |   |
| Rim tape  |   |
| User guide  |   |
| User guide  |   |

## COMPATIBILITY

|  |  |
|--|--|
| Freewheel: Shimano/Sram, convertible to Campagnolo with optional driver body |  |
| Freewheel: Shimano/Sram, convertible to Campagnolo with optional driver body |  |
| Front axle: Quick Release only   |  |
| Front axle: Quick Release only   |  |
| Rear axle: Quick Release only  |  |
| Rear axle: Quick Release only  |  |

## Specifications

### RIMS

- **Material** : S6000 Aluminum
- **Material** : S6000 Aluminum
- **Height** : 21 mm
- **Height** : 21 mm
- **Joint** : pinned
- **Joint** : pinned
- **Drilling** : traditional with H2 reinforcement
- **Drilling** : traditional with H2 reinforcement
- **Brake track** : UB Control
- **Brake track** : UB Control
- **Valve hole diameter** : 6.5 mm
- **Valve hole diameter** : 6.5 mm
- **Tire** : clincher
- **Tire** : clincher
- **Internal width** : 15mm
- **Internal width** : 15mm
- **ETRTO size** : 622x15C
- **ETRTO size** : 622x15C

### SPOKES

- **Material** : steel
- **Material** : steel
- **Shape** : straight pull, round
- **Shape** : straight pull, round
- **Nipples** : brass, ABS
- **Nipples** : steel, ABS
- **Count** : 20 front and rear
- **Count** : 20 front and rear
- **Lacing** : radial front and rear non-drive side, crossed 2 rear drive side
- **Lacing** : radial front and rear non-drive side, crossed 2 rear drive side

### WHEEL HUB

- **Front and rear bodies** : aluminum
- **Front and rear bodies** : aluminum
- **Axle material** : steel
- **Axle material** : steel
- Sealed cartridge bearings
- Sealed cartridge bearings
- **Freewheel** : FTS-L steel
- **Freewheel** : FTS-L steel

### VERSIONS

- **Color** : Black only
- **Color** : Black only

### WHEEL WEIGHTS

Wheel weight 865