

MAVIC Ksyrium Pro UST

ASTM CATEGORY 2 : road and offroad with jumps less than 15cm

For a longer longevity of the wheel, Mavic recommends that the total weight supported by the wheels don't exceed 120kg, bike included

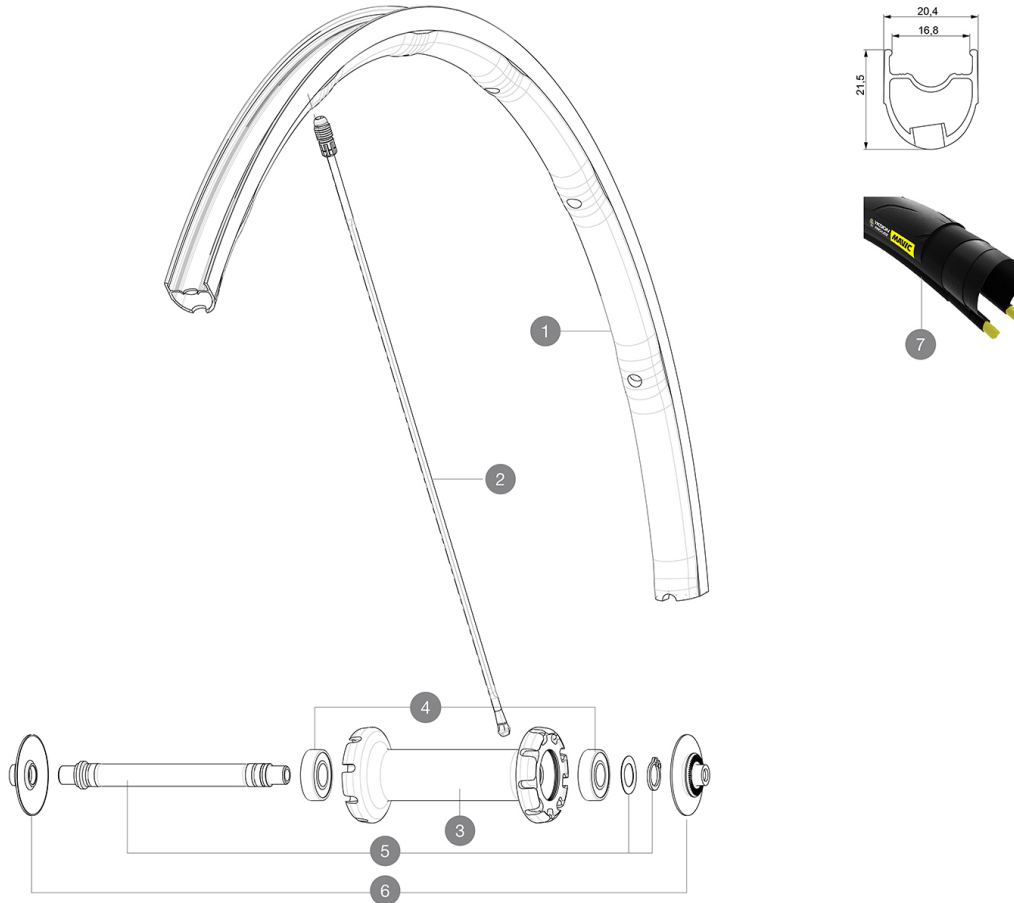
Recommended tyre sizes: 25 to 32 mm

Max. Pressure: see indication on wheel and tyre. If they differ, use the lower of the 2

Max. Pressure tubeless: 25mm 7 bars - 100 PSI, 28mm 6 bars - 87 PSI. Max pressure tubetype: 25/28mm 7,7 bars - 110 PSI

REFERENCES WHEELS

F73241 Ksy Pro UST Ft



RIMS



&NBSP;:

1	V2730610	KIT FRONT RIM KSYRIUM PRO UST
---	----------	-------------------------------

SPOKES

2	V2277701	KIT 9 FT KSYRIUM PRO UST ALU SPOKE 285,5mm
2	V2278101	KIT 1 FT 285,5/1 RR KSYRIUM PRO UST SPK 273,5 - while stock

HUB SHELLS

3	N/A	HUB BODY
4	V2530201	KIT 2 BEARINGS 10x22x6 + WAVED WASHER + CLIP
5	V2390401	KIT FRT AXLE + CLIP + WASH HUB WITH 10x22 BRG

TYRES

7	39938825	Yksion Pro UST 700x25
---	----------	-----------------------

ADAPTERS

6	V2390501	KIT 2 FORK RESTS QRM AUTO - ALU SPK FRT HUB
---	----------	---

MAVIC Ksyrium Pro UST

2018
FRONT

DELIVERED WITH

Mavic tyre sealant (rear wheel) (355 466 01)	
Mavic tyre sealant (rear wheel) (355 466 01)	
Mavic tyre sealant (rear wheel) (355 466 01)	
Mavic tyre sealant (rear wheel) (355 466 01)	
BR601 quick releases (V24 501 01 frt, V24 502 01 rear)	
BR301 quick releases (V24 501 01 frt, V24 502 01 rear)	
BR301 quick releases (V24 501 01 frt, V24 502 01 rear)	
BR301 quick releases (V24 501 01 frt, V24 502 01 rear)	
Tyre sealant syringe	
Tyre sealant syringe	
Tyre sealant syringe	
Tyre sealant syringe	
UST valve and accessories (129 838 01)	
UST valve and accessories (129 838 01)	
UST valve and accessories (129 838 01)	
UST valve and accessories (129 838 01)	
User guide	
User guide	

COMPATIBILITY

Freewheel: Shimano/Sram, convertible to Campagnolo and XD-R with optional driver bodies	
Freewheel: Shimano/Sram, convertible to Campagnolo and XD-R with optional driver bodies	
Freewheel: Shimano/Sram, convertible to Campagnolo and XD-R with optional driver bodies	
Freewheel: Shimano/Sram, convertible to Campagnolo and XD-R with optional driver bodies	
Front axle: Quick Release only	
Front axle: Quick Release only	
Front axle: Quick Release only	
Front axle: Quick Release only	
Rear axle: Quick Release only	
Rear axle: Quick Release only	
Rear axle: Quick Release only	
Rear axle: Quick Release only	