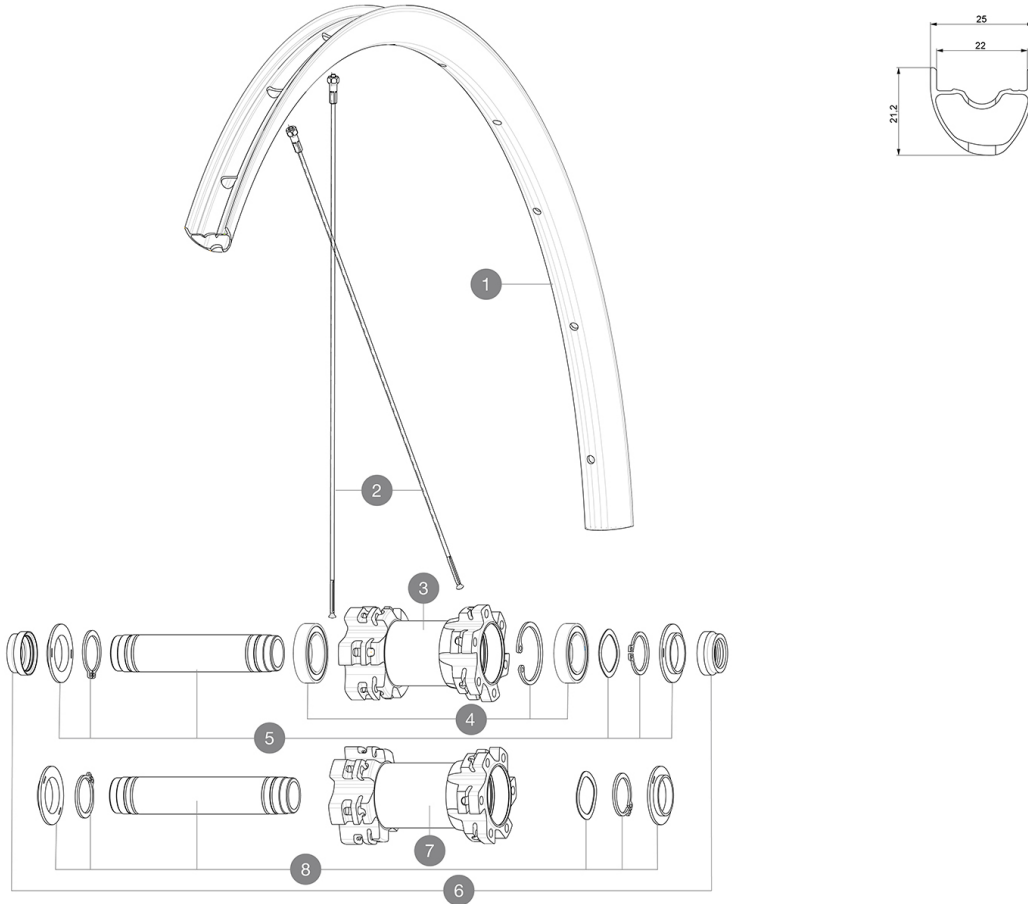


ASTM CATEGORY 3 : CROSS COUNTRY AND TRAIL RIDING

For a longer longevity of the wheel, Mavic recommends that the total weight supported by the wheels don't exceed 120kg, bike included
Recommended tyre sizes: 36 mm to 64 mm (1.4" to 2.5")

REFERENCES WHEELS

| | | | |
|--------|--------------|--------|-----------|
| F73731 | Xmx27,5FtBst | F73271 | Xmx27,5Ft |
|--------|--------------|--------|-----------|



RIMS



&NBSP;:

| | | |
|---|----------|--|
| 1 | V2317815 | KIT FRONT/REAR RIM CROSSMAX 27,5" 22TSS |
| | V2620101 | UST RIM TAPE 25mm (for 21-24mm wide rim) |

SPOKES

| | | |
|---|----------|--|
| 2 | V2385301 | KIT 12 FT/NDS CROSSMAX LIGHT 27,5" SPK 278mm |
|---|----------|--|

HUB SHELLS

| | | |
|---|----------|---|
| 3 | N/A | HUB BODY |
| 4 | 99688501 | BEARING KIT 9/12/15 D6T HUB 20x32x7 6804 |
| 5 | V2371901 | KIT FRONT AXLE MTB L1 QRM AUTO 15x100mm |
| 7 | N/A | HUB BODY |
| 8 | V2372001 | KIT FRONT AXLE MTB L1 QRM AUTO BOOST 15x110mm |

ADAPTERS

| | | |
|---|----------|--|
| 6 | V2390801 | KIT 2 FORK RESTS FRONT AXLE MTB QRM AUTO |
| | 99694101 | ADAPTER Ft 15 to 9mm QR |

DELIVERED WITH

| | |
|---|--|
| UST valve and accessories (129 838 01) | |
| Tubeless rim tape | |
| User guide | |

COMPATIBILITY

| | |
|---|--|
| Freewheel: Shimano/Sram or XD | |
| Front axle: convertible from 15mm thru axle to Quick Release with optional adapters | |
| Rear axle: 12mm thru axle, convertible to Quick Release with optional adapters | |

Specifications**RIMS**

- **Material** : S6000 Aluminum
- **Joint** : SUP
- **Drilling** : traditional
- **Valve hole diameter** : 6.5 mm
- **Tyre** : UST Tubeless and tubetype
- **Internal width** : 22 mm
- **ETRTO size 27.5"** : 584x22TSS
- **ETRTO size 29"** : 622x22TSS

Hookless profile

Use with Mavic Tubeless Tape

SPOKES

- **Material** : steel
- **Shape** : straight pull, round
- **Count** : 24 front and rear
- **Lacing** : front and rear crossed 2

WHEEL HUB

- **Front and rear bodies** : aluminum
- **Axle material** : aluminum
- **Front bearings** : auto adjust sealed cartridge bearings (QRM Auto), Rear bearings sealed cartridge bearings (QRM)
- **Freewheel** : TS-2 alloy

VERSIONS

- **Color** : Black only
- **Disc standard** : 6 Bolts only
- **Hub width** : Boost (front 110, rear 148) or Non-Boost (front 100, rear 135/142)

WHEEL WEIGHTS

Weight Front 27.5": 810
Weight Front 29": 845