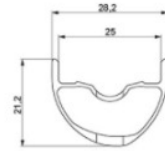
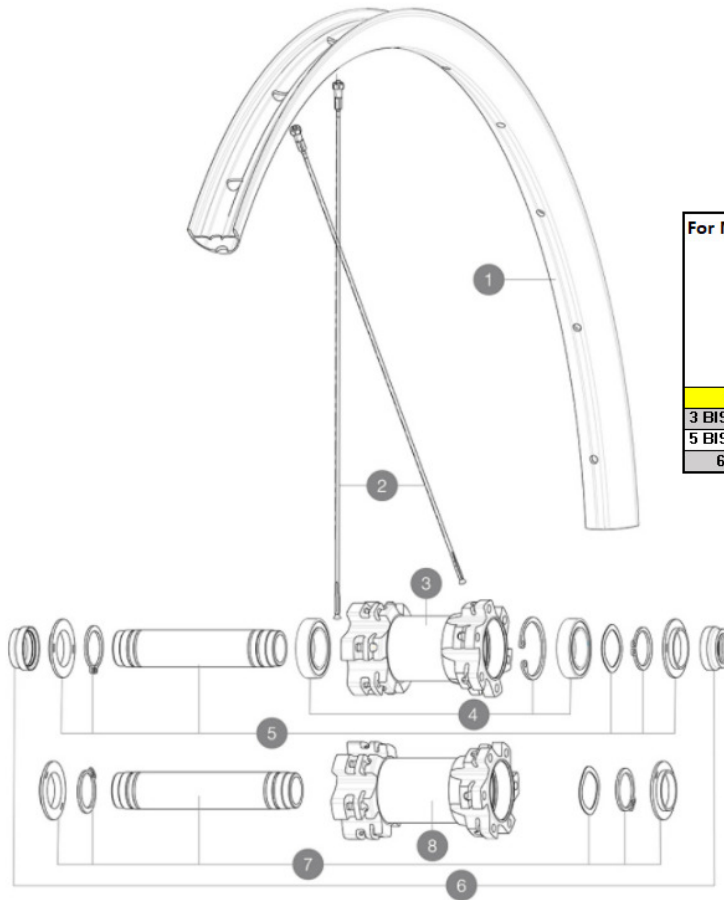


ASTM CATEGORY 3 : CROSS COUNTRY AND TRAIL RIDING

For a longer longevity of the wheel, Mavic recommends that the total weight supported by the wheels don't exceed 120kg, bike included
Recommended tyre sizes: 46mm to 64mm (1.8" to 2.5")

REFERENCES WHEELS

F73811	Xa27,5FtBst	F73311	Xa27,5Ft
--------	-------------	--------	----------



For Monobloc Hub Only

N°	PARTS	REFERENCE	REFERENCE BOOST
3 BIS / 8 BIS	HUB BODY	N/A	N/A
5 BIS / 7 BIS	AXLE	V2372301	V2372401
6 BIS	ADAPTORS	V2372501	

RIMS



&NBSP;:

1	V2318215 V2700101	KIT FRONT/REAR RIM XA/XA LIGHT 27,5" 25TSS UST Tape 28mm for 25 to 27mm wide rims
---	----------------------	--

SPOKES

2	36690101	"KIT 12 FT/NDS CROSSONE/CROSSMAX/XA 27,5"" SPK 278mm"
---	----------	---

HUB SHELLS

	N/A	HUB BODY
4	99688501	BEARING KIT 9/12/15 D6T HUB 20x32x7 6804
5	V2371901 V2372301	KIT FRONT AXLE MTB L1 QRM AUTO 15x100mm KIT 100mm AXLE QRM AUTO MTB > 2019
7	V2372001 V2372401	KIT FRONT AXLE MTB L1 QRM AUTO BOOST 15x110mm KIT 110mm AXLE QRM AUTO MTB > 2019
	N/A	HUB BODY

ADAPTERS

6	V2390801 V2372501	KIT 2 FORK RESTS FRONT AXLE MTB QRM AUTO 15mm MTB Axle Cap QRM Auto From 2019
---	----------------------	--

DELIVERED WITH

UST valve and accessories (129 838 01)	
Tubeless rim tape	
User guide	

COMPATIBILITY

Freewheel: Shimano/Sram or XD	
Front axle: convertible from 15mm thru axle to Quick Release with optional adapters	
Rear axle: 12mm thru axle, convertible to Quick Release with optional adapters	

Specifications**RIMS**

- **Material** : S6000 Aluminum
- **Joint** : SUP
- **Drilling** : traditional
- **Valve hole diameter** : 6.5 mm
- **Tyre** : UST Tubeless and tubetype
- **Internal width** : 25 mm
- **ETRTO size 27.5"** : 584x25TSS
- **ETRTO size 29"** : 622x25TSS

Hookless profile

Use with Mavic Tubeless Tape

SPOKES

- **Material** : steel
- **Shape** : straight pull, round
- **Count** : 24 front and rear
- **Lacing** : front and rear crossed 2

WHEEL HUB

- **Front and rear bodies** : aluminum
- **Axle material** : aluminum
- **Front bearings** : auto adjust sealed cartridge bearings (QRM Auto), Rear bearings sealed cartridge bearings (QRM)
- **Freewheel** : TS-2 alloy

VERSIONS

- **Color** : Black only
- **Disc standard** : 6 Bolts only
- **Hub width** : Boost (front 110, rear 148) or Non-Boost (front 100, rear 135/142)

WHEEL WEIGHTS

Weight Front 27.5": 850
Weight Front 29": 895