

MAVIC Deemax Pro 27,5

1
2019
FRONT

ASTM CATEGORY 4 : ENDURO AND TRAIL RIDING

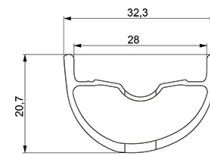
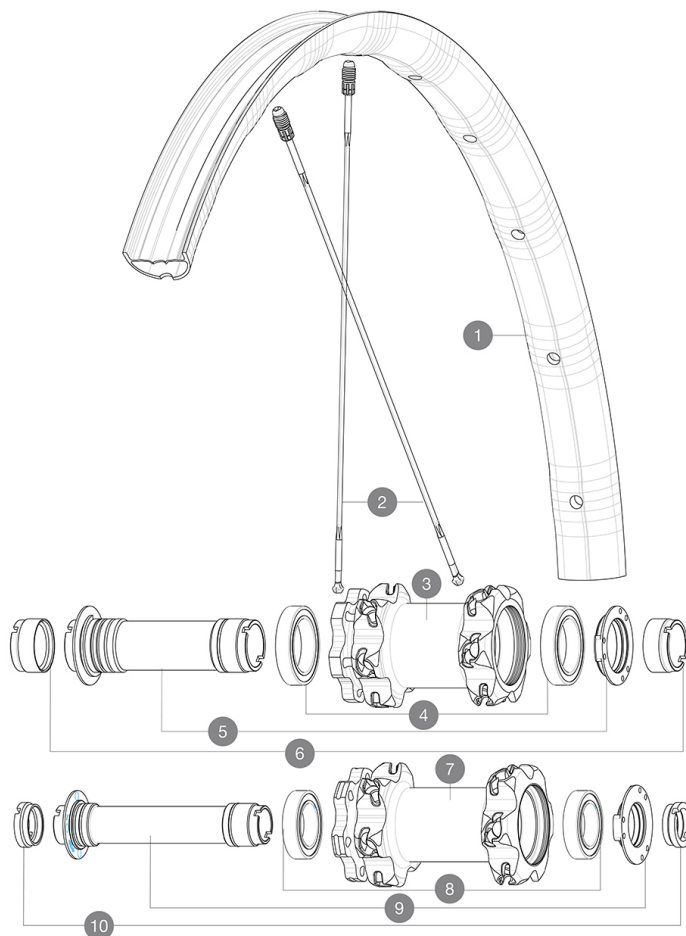
For a longer longevity of the wheel, Mavic recommends that the total weight supported by the wheels don't exceed 120kg, bike included

Recommended tyre sizes: 46mm to 64mm (1.8" to 2.5")

REFERENCES WHEELS

F83721 Deemax Pro 27,5 19 Ft Boost

F83711 Deemax Pro 27,5 19 Ft



RIMS



&NBSP;:

1	V3760210	KIT FRONT RIM DEEMAX PRO 19 27,5"
---	----------	-----------------------------------

SPOKES

2	V2386101	KIT 1 FRT/1 NDS STAMPED SPOKES 275mm DEEMAX PRO - while stoc
2	V2384701	KIT 12 FT/NDS CROSSMAX PRO 27,5" SPK 275mm

HUB SHELLS

3	N/A	HUB BODY
4	M40179	FRONT BEARING 25x37x7 20mm AXLE
5	30870501	FRONT AXLE 20mm CROSSMAX + DEEMAX ULTI 2012
7	N/A	HUB BODY
8	99688501	BEARING KIT 9/12/15 D6T HUB 20x32x7 6804
9	V2370701	KIT FRONT QRM+ AXLE BOOST INTL 110mm

OPTIONS

V2650201	ADAPTER Front Torque Cap 15x31 MTB QRM +
----------	--


ADAPTERS

6	12982901	ADAPTER Ft 20x110mm
10	B4104401	ADAPTER Ft 15mm QRM+
	B4104301	ADAPTER Ft 9mm QR QRM+
	12982701	ADAPTER Ft 20 to 9mm QR incl.
	12982801	ADAPTER Ft 20 to 15mm

MAVIC Deemax Pro 27,5

2019
FRONT

DELIVERED WITH

UST valve and accessories (129 838 01)	
Specific disc bolts (308 719 01)	
Multifunction adjustment wrench (325 423 01)	
User guide	

COMPATIBILITY

Freewheel: Shimano/Sram or XD	
Front axle: 20mm, convertible to 15mm thru axle with included adapters	
Rear axle: 12mm thru axle, convertible to Quick Release with optional adapters	
Freewheel: Shimano Micro Spline	

Specifications

RIMS

- **Material** : Mxstal
 - **Drilling** : Fore
 - **Weight reduction** : ISM 4D
 - **Valve hole diameter** : 6.5 mm
 - **Tyre** : UST Tubeless and tubetype
 - **Internal width** : 28 mm
- Hookless profile

SPOKES

- **Material** : Zicral
- **Shape** : straight pull, flat
- **Nipples** : Fore integrated aluminum
- **Count** : 24 front and rear
- **Lacing** : front crossed 2, rear Isopulse

WHEEL HUB

- **Front and rear bodies** : aluminum
- **Front bearings** : adjustable sealed cartridge bearings (QRM+), Rear bearings auto adjust sealed cartridge bearings (QRM Auto)
- **Freewheel** : Instant Drive 360

VERSIONS

- **Disc standard** : 6 Bolts only
- **Hub width** : Boost only (front 110, rear 148)
- **Freewheel** : Shimano/Sram or XD

WHEEL WEIGHTS

Weight Front 27.5": 840
Weight Front 29": 890