

ASTM CATEGORY 5 : GRAVITY RIDING FOCUSED ON THE DESCENT

For a longer longevity of the wheel, Mavic recommends that the total weight supported by the wheels doesn't exceed 150kg, bike included

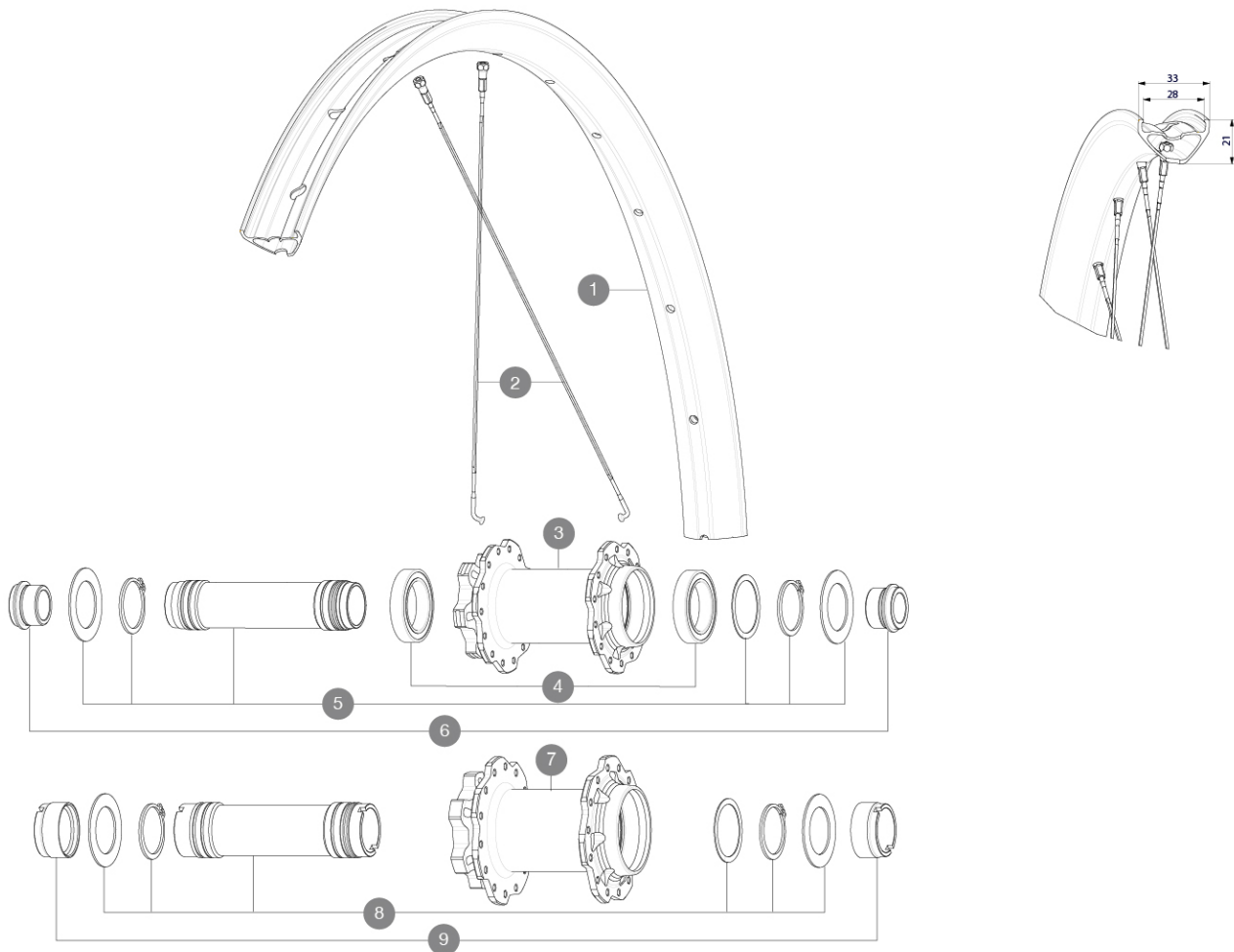
Maximum tyre pressure: 3.2bar/46PSI with a 47mm tyre - 2.85bar/41PSI with a 64mm tyre

Recommended tyre sizes: 60mm to 76mm (2.35" to 3.0")

REFERENCES WHEELS

F92171 Deemax 29 21 Ft

F92181 DEEMAX INT 29 BST



RIMS



&NBSP;:

| | | |
|---|----------|--|
| 1 | V3766215 | Kit Front/Rear rim Deemax 21 29" |
| | V2640101 | UST RIM TAPE 32mm for 28 to 29mm wide rims |

SPOKES

| | | |
|---|----------|--|
| 2 | V2387901 | KIT 14 J BENT STEEL SPOKES 299mm DEEMAX DH 29" + black steel |
|---|----------|--|

HUB SHELLS

| | | |
|---|----------|---|
| 3 | N/A | HUB BODY |
| 4 | M40179 | FRONT BEARING 25x37x7 20mm AXLE |
| 5 | V2373701 | KIT 20x110mm BOOST AXLE QRM AUTO MTB > 2019 |
| 7 | N/A | HUB BODY |
| 8 | V2373801 | KIT 20x110mm AXLE QRM AUTO MTB > 2019 |

ADAPTERS

| | | |
|---|----------|-----------------------|
| 6 | 12982801 | ADAPTER Ft 20 to 15mm |
| 9 | 12982901 | ADAPTER Ft 20x110mm |

DELIVERED WITH

| | |
|---|--|
| UST valve and accessories (129 838 01) | |
| UST valve and accessories (129 838 01) | |
| Pre-installed tubeless rim tape | |
| Pre-installed tubeless rim tape | |
| Multifunction adjustment wrench (delivered with rear wheel) (325 423 01) | |
| Multifunction adjustment wrench (delivered with rear wheel) (325 423 01) | |
| 2 replacement spokes with each wheel | |
| 20X110mm boost adapters delivered with front Boost wheel | |
| 20X110mm NON-boost adapters delivered with NON boost front wheel | |
| 12X150 adapters delivered with 12X157 rear wheel | |
| 20X110mm boost adapters delivered with front Boost wheel | |
| 20X110mm NON-boost adapters delivered with NON boost front wheel | |
| 12X150 adapters delivered with 12X157 rear wheel | |
| 2 replacement spokes with each wheel | |

COMPATIBILITY

| | |
|---|--|
| Front axle: 15x110 Boost, convertible to 20x110 Boost thru axle with adapters | |
| Front axle: 15x110 Boost, convertible to 20x110 Boost thru axle with adapters | |
| DH spacing axles: 12X150 , 12x157 , 12X157-7speed | |
| Freewheel: Shimano HG9, XD or Micro Spline | |
| Freewheel: Shimano HG9, XD or Micro Spline | |
| Boost Axles : 15X110 ; 12X148 | |
| Boost Axles : 15X110 ; 12X148 | |
| DH spacing axles: 12X150 , 12x157 , 12X157-7speed | |

Specifications

RIMS

- **Material** : Mxstal
- **Material** : Mxstal
- **Material** : S6000 Aluminum
- **Material** : S6000 Aluminum
- SUP
- **Drilling** : traditional
- **Drilling** : traditional
- **Internal width** : 28 mm
- **Internal width** : 28 mm
- **ETRTO size 27.5"** : 584x28TC
- **ETRTO size 29"** : 622x28TC
- **ETRTO size 29"** : 622x28TC

Asymmetrical rim design Update date: 2024-02-15

Black Shield treatment (protects your rim against impacts and scratches)

WHEEL HUB

- Instant Drive 360
- QRM Auto
- **DH spacing axles** : 12X150 , 12x157 , 12X157-7speed available
- Hub available with 6-bolt brake rotors
- **Axles** : Front 15X110 Boost ; Rear 12X148 Boost
- **Axles** : Front 15X110 Boost ; Rear 12X148 Boost
- 24 teeth ratchet
- **DH spacing axles** : 12X150 , 12x157 , 12X157-7speed available
- Hub available with 6-bolt brake rotors
- Instant Drive 360
- QRM Auto

VERSIONS

WHEEL WEIGHTS

- Weight Front 27.5": 955
- Weight Front 29": 1005