

MAVIC **COSMIC SLR 45 DISC**

ASTM CATEGORY 2 : road and offroad with jumps less than 15cm

Maximum tyre pressure: 4.4bar/64PSI with a 28mm tyre - 2.6bar/38PSI with a 64mm tyre

Maximum tyre pressure: 6.75bar/97PSI with a 23mm tyre - 3.8bar/55PSI with a 62mm tyre

For a longer longevity of the wheel, Mavic recommends that the total weight supported by the wheels doesn't exceed 120kg, bike included

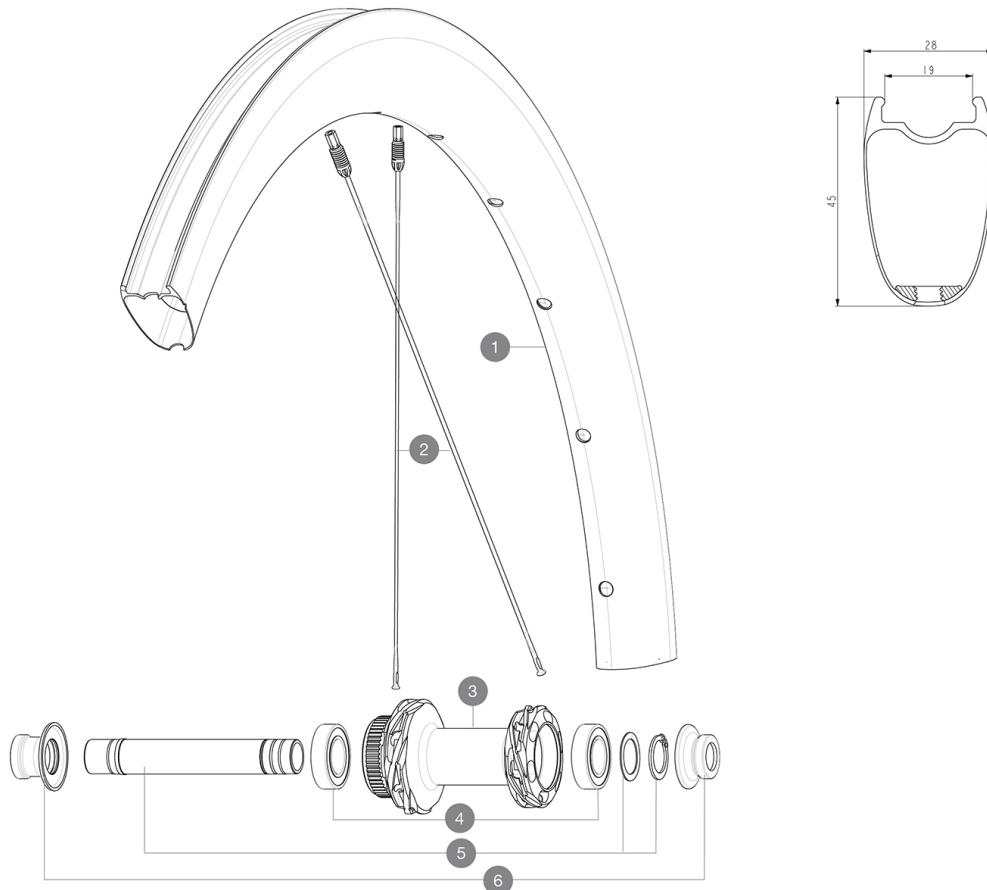
Recommended tire sizes: 25 to 32 mm

Max. Pressure: see indication on wheel and tire. If they differ, use the lowest of the 2

Maximum tyre size: width 62mm - pressure max. 3.8Bar/55PSI

REFERENCES WHEELS

F93061 COS SLR45 CL 700 12X100

**RIMS**

&NBSP::

1 V4095015 Kit Front/Rear rim Cosmic SLR 45 Disc MY22

SPOKES

2 V4163701 Kit 12 Front/Rear Cosmic SLR 45 Disc aero stainless spoke 27

HUB SHELLS

3	N/A	HUB BODY
3	N/A	HUB BODY
4	M40129	KIT 2 BEARINGS 6902 15x28x7
5	V2373301	KIT QRM AUTO FRONT AXLE 12mm > 2019

ADAPTERS

6	V2374701	KIT FRONT ROAD FORK REST 12mm FOR J BENT DISC HUB
	V2680301	"Kit Ft Road Adapter 12 >> 9mm"

DELIVERED WITH

User guide	
Mavic tyre sealant (rear wheel) (355 466 01)	
UST valve and accessories (129 838 01)	
UST valve and accessories (129 838 01)	
User guide	
User guide	
UST valve and accessories (129 838 01)	
ID360 Campagnolo freewheel body (V3440101)	

COMPATIBILITY

Freewheel: Shimano/Sram, convertible to Campagnolo ED11, N3W and XD-R with optional driver bodies	
Rear axle: 12mm thru axle, convertible to Quick Release with optional adapters and axle replacement	
Front axle: 12x100 thru axle, easily convertible to quick release with optional adapters. Not compatible with 15mm through axles	
Freewheel body: convertible SRAM XD road (kit V2580101 sold separately)	
Freewheel body: convertible SRAM XD road (kit V2580101 sold separately)	
Freewheel body: convertible SHIMANO HG light road (kit V3850101 sold separately)	
Freewheel body: convertible SHIMANO HG light road (kit V3850101 sold separately)	
Freewheel body: convertible SHIMANO MS (kit V3990101 sold separately)	
Freewheel body: convertible SHIMANO MS (kit V3990101 sold separately)	
Freewheel body: convertible CAMPAGNOLO ED (kit V3440101 sold separately)	
Freewheel body: convertible CAMPAGNOLO ED (kit V3440101 sold separately)	
Freewheel body: convertible CAMPAGNOLO N3W (kit V4270101 sold separately)	
Freewheel body: convertible CAMPAGNOLO N3W (kit V4270101 sold separately)	
ID360 Shimano Micro Spline alloy freewheel body (V3990101)	
Rear axle: for fixing nuts only (included), M9x1 thread	
Rear axle adapters: 12x142 convertible to 9x135 (kit V2510801 sold separately) and by changing the axle (V2373401 also sold separately)	
ID360 Sram XD freewheel body (V3740101)	
Rear axle: for fixing nuts only (included), M9x1 thread	