

MAVIC ALLROAD 650B DISC

ASTM CATEGORY 2 : road and offroad with jumps less than 15cm

Maximum tyre pressure: 4.1bar/59PSI with a 28mm tyre - 2.45bar/36PSI with a 64mm tyre

For a longer longevity of the wheel, Mavic recommends that the total weight supported by the wheels doesn't exceed 120kg, bike included

Non-Boost : 12x135 rear axle adapters (V2510901)

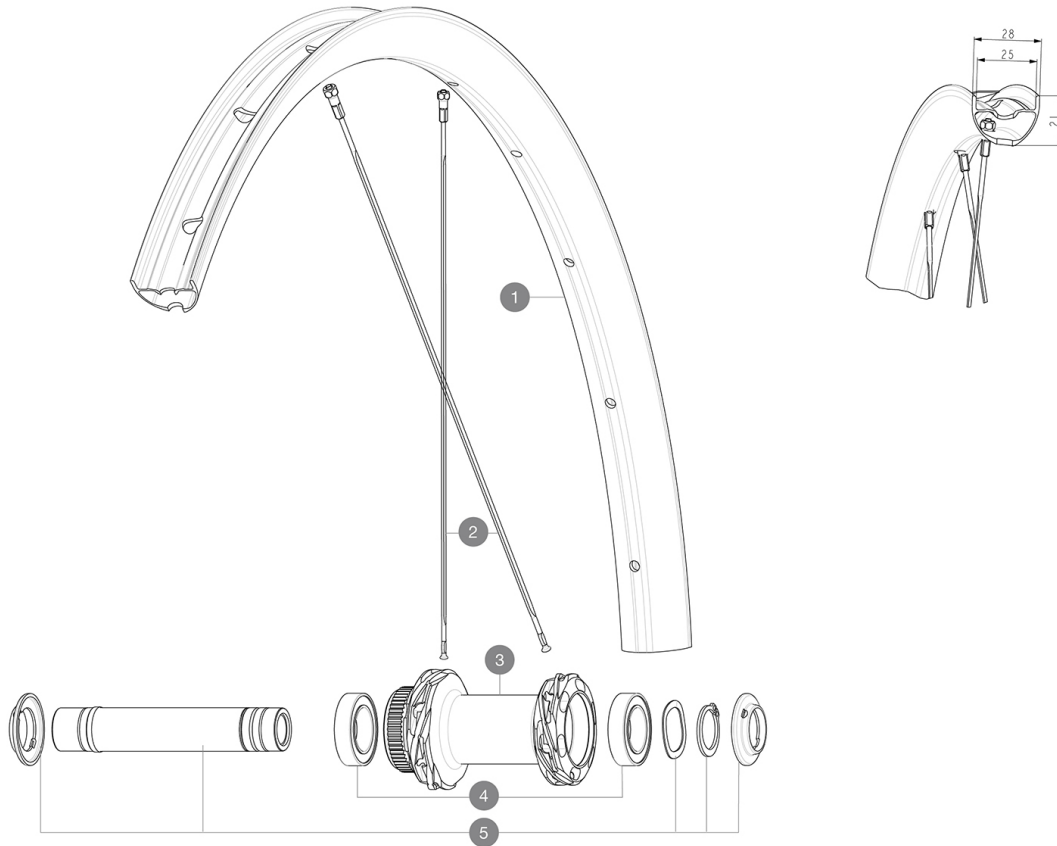
Recommended tire sizes: 28 to 64 mm (1.1" to 2.5")

Max. Pressure: see indication on wheel and tire. If they differ, use the lowest of the 2

Boost : Torque Caps for Center Lock hub (V2374401)

REFERENCES WHEELS

F000040 ALLROADINT650B12x100 F92811 ALLR 650B CL 650B 12X100

**RIMS**

&NBSP::

1	V4095115	Kit Front/Rear rim Allroad 650B
	V2700101	UST Tape 28mm for 25 to 27mm wide rims

SPOKES

2	V4165001	Kit 12 Front/Rear Allroad 650B flat spoke 277 + nipple black
---	----------	--

HUB SHELLS

3	N/A	HUB BODY
4	V2500901	KIT BEARINGS 18x30x7 + WAVED WASHER + CLIP
5	V2374001	KIT 12x100mm FRONT AXLE DCL QRM AUTO ALLROAD > 2019

OPTIONS

V2373501	QRM Auto front axle 15mm for DCL Allroad wheels > 2019
----------	--

ADAPTERS

V2372501	15mm MTB Axle Cap QRM Auto From 2019
V2680301	"Kit Ft Road Adapter 12 >> 9mm"

MAVIC ALLROAD 650B DISC

DELIVERED WITH

User guide	
UST valve and accessories (129 838 01)	
UST valve and accessories (129 838 01)	
Pre-installed tubeless rim tape	
Pre-installed tubeless rim tape	
User guide	
User guide	
Pre-installed tubeless rim tape	
UST valve and accessories (129 838 01)	
12 to 9mm rear adapter for quick release (V2510801)	

COMPATIBILITY

Freewheel: Shimano/Sram, convertible to Campagnolo ED11, N3W and XD-R with optional driver bodies	
Front axle: 12mm thru axle, easily convertible to quick release with optional adapters. Convertible to 15mm with complete axle replacement	
Freewheel body: convertible SRAM XD road (kit V2580101 sold separately)	
Freewheel body: convertible SRAM XD road (kit V2580101 sold separately)	
Freewheel body: convertible SHIMANO HG light road (kit V3850101 sold separately)	
Freewheel body: convertible SHIMANO HG light road (kit V3850101 sold separately)	
Freewheel body: convertible SHIMANO MS (kit V3990101 sold separately)	
Freewheel body: convertible SHIMANO MS (kit V3990101 sold separately)	
Front axle: 12mm thru axle, easily convertible to quick release with optional adapters. Convertible to 15mm with complete axle replacement	
Front axle: 12mm thru axle, easily convertible to quick release with optional adapters. Convertible to 15mm with complete axle replacement	
Freewheel body: convertible CAMPAGNOLO N3W (kit V4270101 sold separately)	
Freewheel body: convertible CAMPAGNOLO N3W (kit V4270101 sold separately)	
ID360 Shimano Micro Spline alloy freewheel body (V3990101)	
ID360 Sram XD freewheel body (V3740101)	
Rear axle: for fixing nuts only (included), M9x1 thread	
Instant Drive 360 freewheel technology The new Instant Drive 360 freewheel system is super light and fast to engage with only 9Å°. A large contactless rubber seal provides low friction, while a wide array of end caps makes it super versatile.	
Rear axle: for fixing nuts only (included), M9x1 thread	
ID360 Shimano Micro Spline alloy freewheel body	