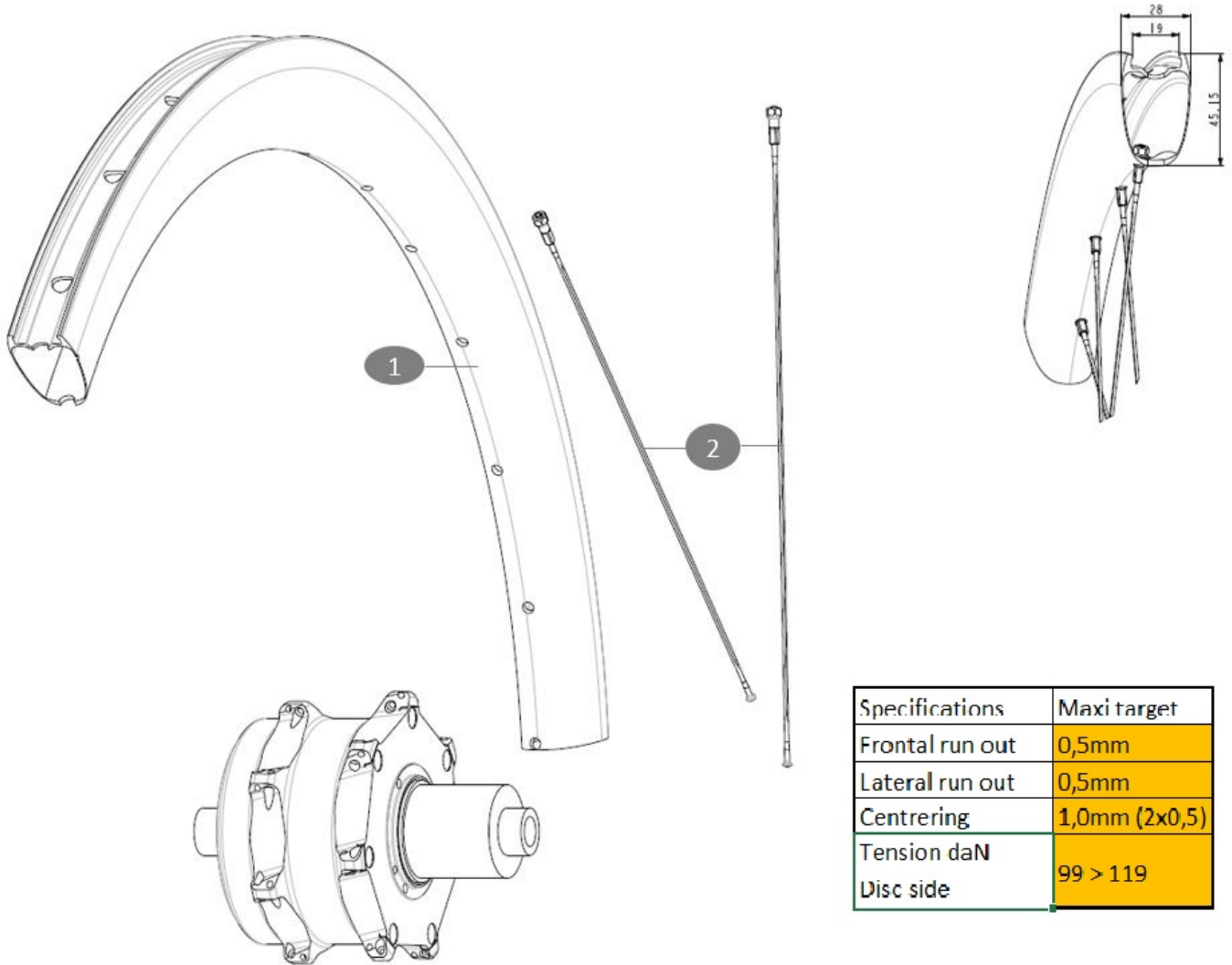


**MAVIC COSMIC SL 45 DISC MAHLEX20**

Maximum tyre pressure: 4.4bar/64PSI with a 28mm tyre - 2.6bar/38PSI with a 64mm tyre  
 ASTM CATEGORY 2 : road and offroad with jumps less than 15cm  
 For a longer longevity of the wheel, Mavic recommends that the total weight supported by the wheels doesn't exceed 120kg, bike included  
 Maximum tyre size: width 62mm - pressure max. 3.8Bar/55PSI

**REFERENCES WHEELS****RIMS**

&amp;NBSP;:

1	V00055109	Kit Rear rim Cosmic SL45 EBM X20
	V3720101	25mm UST Tape for 19 to 22mm Road Rims

**SPOKES**

2	V00054731	Kit 14CosmicSL45 spk263 EBMX20+blk npl+w
---	-----------	--

# MAVIC COSMIC SL 45 DISC MAHLEX20

## DELIVERED WITH

Mavic tyre sealant (rear wheel) (355 466 01)	
User guide	
UST valve and accessories (129 838 01)	
Pre-installed tubeless rim tape	
User guide	
Pre-installed tubeless rim tape	
UST valve and accessories (129 838 01)	
12 to 9mm rear adapter for quick release (V2510801)	

## COMPATIBILITY

Instant Drive 360 freewheel technology The new Instant Drive 360 freewheel system is super light and fast to engage with only 9Å°. A large contactless rubber seal provides low friction, while a wide array of end caps makes it super versatile.	
FTS-L Shimano / Sram freewheel body ([30871101] - Delivered on the wheel)	

## Specifications

### RIMS

- **Material** : 100% carbon fiber
- **Material** : 100% carbon fiber
- **Height** : 45 mm
- **Height** : 45 mm
- **Drilling** : traditional (front/rear 28 holes)
- **Drilling** : traditional (front/rear 28 holes)

Disc brake specific profile

Disc brake specific profile

- **ETRTO size** : 622x19TC
- **ETRTO size** : 622x19TC
- **Tire** : clincher
- **Tire** : clincher

### SPOKES

- **Lacing** : front radial, rear crossed 2
  - **Lacing** : front radial, rear crossed 2
- Instant Drive 360 freewheel technology

### WHEEL HUB

- **Body** : aluminum
- **Body** : aluminum
- **Body design** : INFINITY
- **Body design** : INFINITY
- **Disc standard** : 6 Bolts only
- **Disc standard** : 6 Bolts only

### WHEEL WEIGHTS