

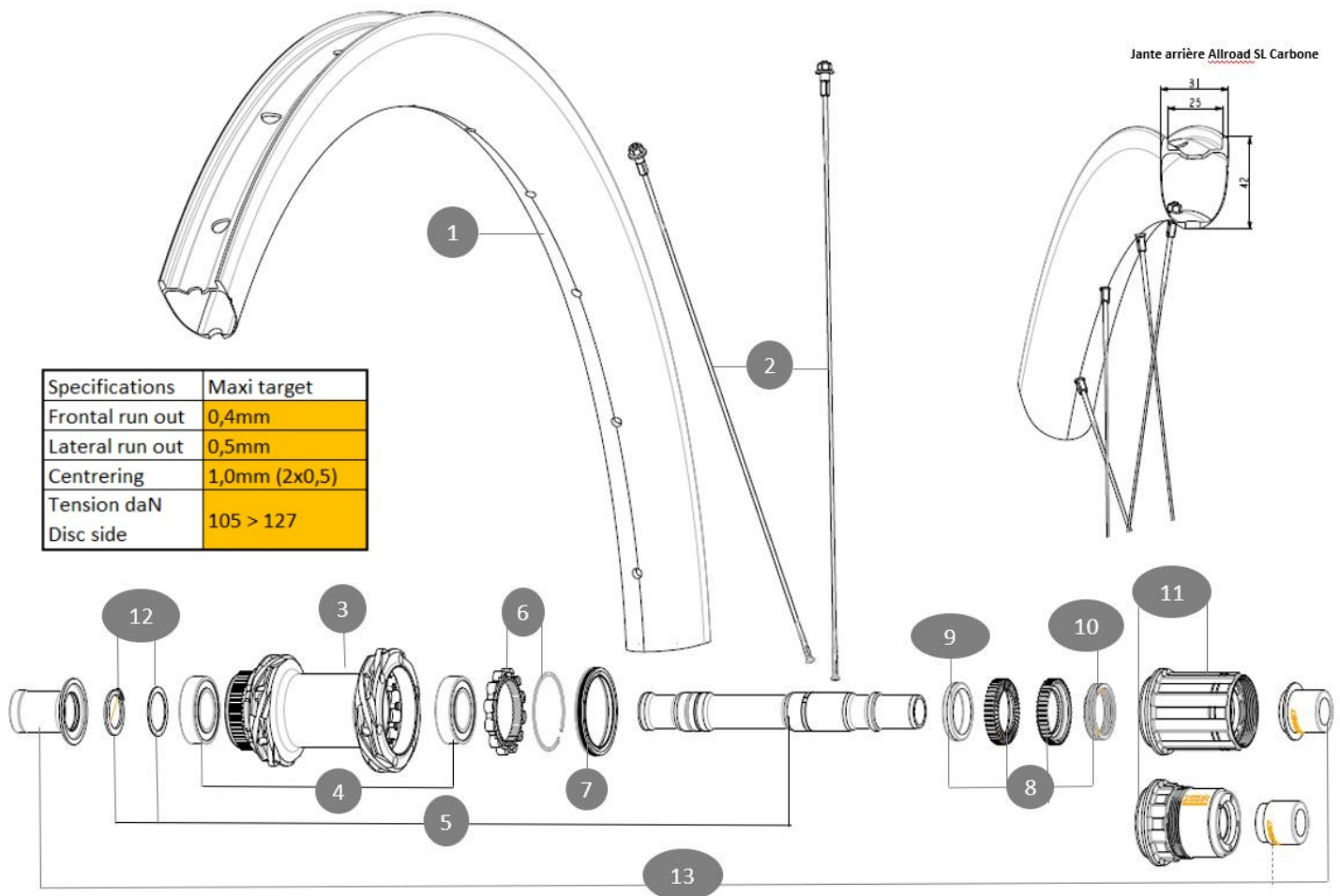
**MAVIC** ALLROAD SL CARBON**REFERENCES WHEELS**

ASTM CATEGORY 2 : road and offroad with jumps less than 15cm

For a longer longevity of the wheel, Mavic recommends that the total weight supported by the wheels doesn't exceed 120kg, bike included

Non-Boost : 12x135 rear axle adapters (V2510901)

Boost : Torque Caps for Center Lock hub (V2374401)

**RIMS**

&NBSP;:

**1** V00104731 KIT FT/RR RIM ALRD SL CARBON

**SPOKES**

**2** V00104631 Kit 12 Front/Rear Allroad SL Carbon spoke 278mm

**HUB SHELLS**

|           |           |   |
|-----------|-----------|---|
| <b>3</b>  | N/A       | HUB BODY  |
| <b>4</b>  | M40076    | HUB BEARINGS 17x30x7 6903 x 2                         |
| <b>5</b>  | V00046431 | KIT AXE ID360 142LIGHT CL+CIR                         |
| <b>6</b>  | V2252701  | KIT ID360 INSERT SHAPED EAR LOBE > 2017               |
| <b>7</b>  | V2251601  | KIT ID360 SEAL + GREASE                               |
| <b>8</b>  | V2251701  | KIT ID360 2 RATCHETS + SPRING + GREASE                |
| <b>9</b>  | V2500501  | KIT ID360 3 PADS NOISE REDUCING                       |
| <b>10</b> | V2251801  | KIT 3 ID360 ROAD SPRINGS                              |
| <b>11</b> | V2580101  | FREEHUB BODY XD Road ID360                            |
| <b>11</b> | V3430101  | HG11 Freewheel Body ID360                             |
| <b>12</b> | V2373001  | KIT ADJUST. SYSTEM QRM AUTO ID360 for 17x30x7 bearing |

**OPTIONS**

|          |   |
|----------|---|
| V2510801 | ID360 V2 RrAxleAdapt9x135               |
| V2510901 | ID360 EVO RrAxleAdpt12x135/150          |
| V2373401 | KIT ID360 135/142 DCL L1 AXLE WITH CLIP |

**ADAPTERS**

|           |          |                                    |
|-----------|----------|------------------------------------|
| <b>13</b> | V3811001 | KIT ROAD ID360 RR CL ENDCAP (12MM) |
|-----------|----------|------------------------------------|

**MAVIC** **ALLROAD SL CARBON****DELIVERED WITH**

|  |  |
|--|--|
| User guide   |  |
| UST valve and accessories<br>(129 838 01)              |  |
| Pre-installed tubeless rim tape                        |  |
| User guide   |  |
| Pre-installed tubeless rim tape                        |  |
| UST valve and accessories<br>(129 838 01)              |  |
| 12 to 9mm rear adapter for quick release<br>(V2510801) |  |

**COMPATIBILITY**

|  |  |
|--|--|
| Freewheel body: convertible SRAM XD road (kit V2580101 sold separately)          |  |
| Freewheel body: convertible SRAM XD road (kit V2580101 sold separately)          |  |
| Freewheel body: convertible SHIMANO HG light road (kit V3850101 sold separately) |  |
| Freewheel body: convertible SHIMANO HG light road (kit V3850101 sold separately) |  |
| Freewheel body: convertible SHIMANO MS (kit V3990101 sold separately)            |  |
| Freewheel body: convertible SHIMANO MS (kit V3990101 sold separately)            |  |
| Freewheel body: convertible CAMPAGNOLO ED (kit V3440101 sold separately)         |  |
| Freewheel body: convertible CAMPAGNOLO ED (kit V3440101 sold separately)         |  |
| Freewheel body: convertible CAMPAGNOLO N3W (kit V4270101 sold separately)        |  |
| Freewheel body: convertible CAMPAGNOLO N3W (kit V4270101 sold separately)        |  |
| ID360 Shimano Micro Spline alloy freewheel body (V3990101)                       |  |
| ID360 Sram XD freewheel body (V3740101)  |  |
| Rear axle: for fixing nuts only (included), M9x1 thread                          |  |
| FTS-L Shimano / Sram freewheel body ([30871101] - Delivered on the wheel)        |  |
| ID360 Sram XD freewheel body (V3740101)  |  |
| Rear axle: for fixing nuts only (included), M9x1 thread                          |  |
| ID360 Shimano Micro Spline alloy freewheel body (V3990101)                       |  |

**Specifications**

Download date: 2024-07-16 / Update date: 2024-07-15

RIMS

WHEEL HUB