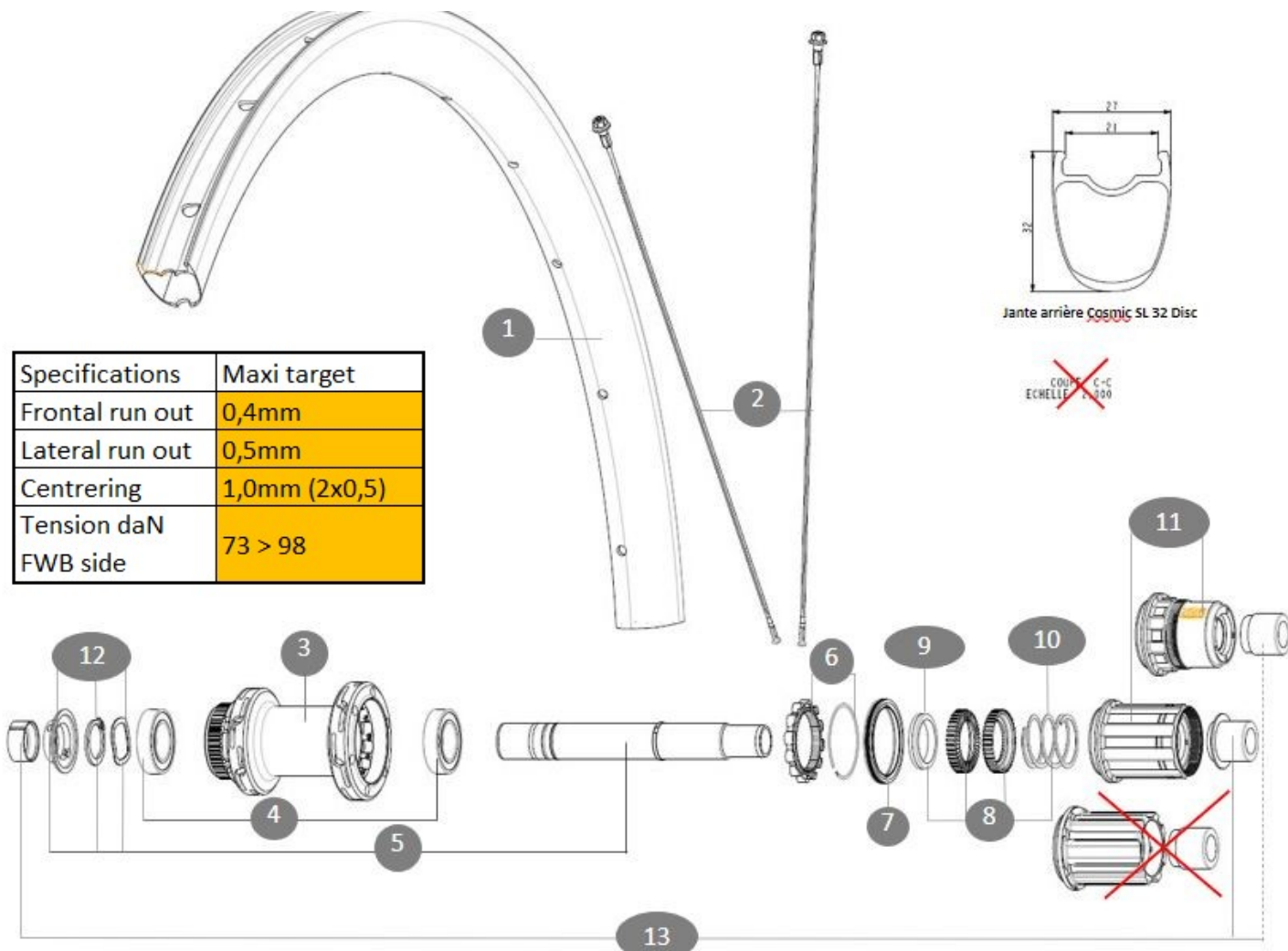


ASTM CATEGORY 2 : road and offroad with jumps less than 15cm
For a longer longevity of the wheel, Mavic recommends that the total weight supported by the wheels doesn't exceed 120kg, bike included

REFERENCES WHEELS



Specifications	Maxi target
Frontal run out	0,4mm
Lateral run out	0,5mm
Centring	1,0mm (2x0,5)
Tension daN FWB side	73 > 98

RIMS



&NBSP;:

1	V4093215	Kit Front/Rear rim Cosmic SL 32 Disc while stock lasts
	V2620101	UST RIM TAPE 25mm (for 21-24mm wide rim)

SPOKES

2	V4163401	Kit 12 Front/Rear Cosmic SL 32 Disc butted stainless spoke 2
---	----------	--

HUB SHELLS

3	N/A	HUB BODY
4	M40076	HUB BEARINGS 17x30x7 6903 x 2
5	V2373401	KIT ID360 135/142 DCL L1 AXLE WITH CLIP
6	V2252701	KIT ID360 INSERT SHAPED EAR LOBE > 2017
7	V2251601	KIT ID360 SEAL + GREASE
8	V2251701	KIT ID360 2 RATCHETS + SPRING + GREASE
9	V2500501	KIT ID360 3 PADS NOISE REDUCING
10	V2251801	KIT 3 ID360 ROAD SPRINGS
11	V3430101	HG11 Freewheel Body ID360
11	V2580101	FREEHUB BODY XD Road ID360
12	V2373001	KIT ADJUST. SYSTEM QRM AUTO ID360 for 17x30x7 bearing

OPTIONS

V00063631	Kit ID360 seal version 2 (larger)
V2510901	ID360 EVO RrAxleAdpt12x135/150
V2510801	ID360 V2 RrAxleAdapt9x135

ADAPTERS

13	V2510701	ID360V2RrAxleAdapt12x142/148
----	----------	------------------------------

DELIVERED WITH

Front QR adapters	
Rear QR adapters for Instant Drive 360 (B49 894 01)	
UST valve and accessories (129 838 01)	
Pre-installed tubeless rim tape	
User guide	

COMPATIBILITY

Freewheel body: convertible SRAM XD road (kit V2580101 sold separately)	
Freewheel body: convertible SHIMANO HG light road (kit V3850101 sold separately)	
Freewheel body: convertible SHIMANO MS (kit V3990101 sold separately)	
Freewheel body: convertible CAMPAGNOLO ED (kit V3440101 sold separately)	
Freewheel body: convertible CAMPAGNOLO N3W (kit V4270101 sold separately)	
Instant Drive 360 freewheel technology The new Instant Drive 360 freewheel system is super light and fast to engage with only 9Â°. A large contactless rubber seal provides low friction, while a wide array of end caps makes it super versatile.	
FTS-L Shimano / Sram freewheel body ([30871101] - Delivered on the wheel)	
ID360 Shimano steel freewheel body ([V3790101])	
ID360 Sram XD freewheel body ([V3740101])	
Rear axle: for fixing nuts only (included), M9x1 thread	
ID360 Shimano Micro Spline alloy freewheel body ([V3990101])	
ID360 N3W freewheel body ([V4270101])	

Specifications
RIMS

- **Material** : 100% carbon fiber
 - **Height** : 32mm
 - **Internal width** : 21 mm
 - **Drilling** : traditional
- Disc brake specific profile
- **ETRTO size** : 622x21TC
 - **Tire** : clincher

SPOKES

- **Material** : steel
 - **Shape** : j-bent, round, 2.0 straight gauge
- R2R carbon spoke technology

WHEEL HUB

- **Body** : aluminum
 - **Body design** : INFINITY
 - **Disc standard** : Center LockÂ® only
 - **Axle material** : aluminum
 - **Axle size** : front 12x100 / rear 12x142 -
- Convertible to quick release with included adapters
- **Axles** : Front 15x110 (Boost) or 15x100 ; Rear 12x148 (Boost) or 12x142
 - **Freewheel** : Shimano HG road
 - **Freewheel** : FTS-L steel

WHEEL WEIGHTS