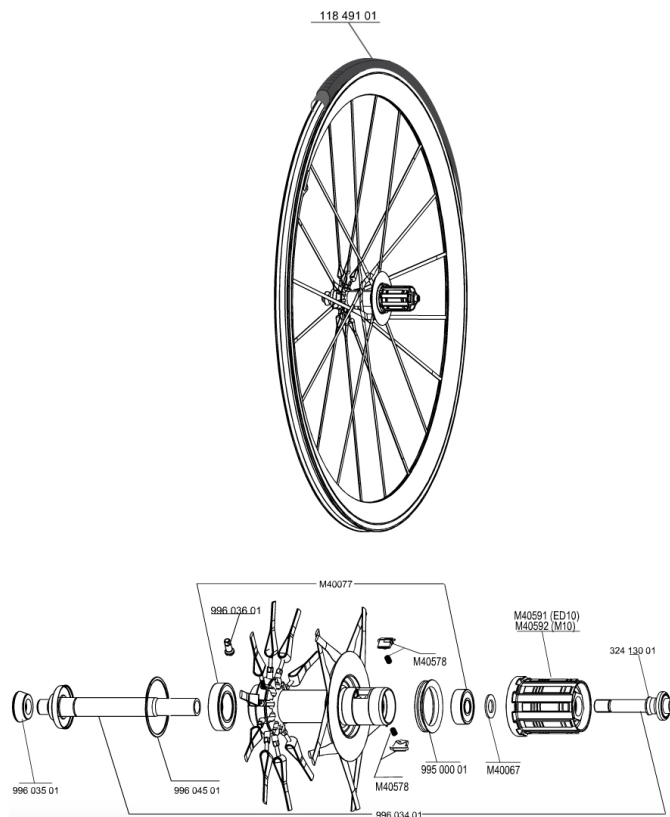


**REFERENCES WHEELS**

|        |                              |        |                               |
|--------|------------------------------|--------|-------------------------------|
| 118078 | COSMIC CARB ULTI 011ED11 WTS | 118410 | COSMIC CARB ULTI011 M10 WTS   |
| 118079 | COSMIC CARB ULTI011M10PR WTS | 118411 | COSMIC CARB ULTI011ED11PR WTS |



**SPOKES**

|          |                                       |
|----------|---------------------------------------|
| 99603601 | KIT 10 NIPPLES COSMIC CARBON ULTIMATE |
|----------|---------------------------------------|

**HUB SHELLS**

|          |   |
|----------|---|
| 99604501 | SET OF 2 R.HUB RING COS.CARB.ULTIMATE   |
| M40077   | REAR HUB 608+6901 BEARINGS              |
| M40592   | FTSL FREEWHEEL BODY M10                 |
| M40067   | INTERNAL FREEWHEEL SPACER FTSL/FTSX     |
| 99603501 | R.FORK SUPPORT COS.CARB.ULTIMATE < 2014 |
| 32413001 | REAR AXLE BOLT M11/ED11                 |
| M40591   | FTSL FREEWHEEL BODY ED10                |
| 99603401 | REAR AXLE COS.CARBONE ULTIMATE          |
| 99500001 | FTSL/FTSX FREEHUB BODY SEAL             |
| M40578   | FTSL PAWLS KIT (ROAD WHEELS)            |

**TYRES**

|          |                             |
|----------|-----------------------------|
| 11849101 | Yksion PowerLink Tubular 23 |
|----------|-----------------------------|

**MAVIC** *Cosmic Carbone Ultimate 11***DELIVERED WITH**

|                               |  |
|-------------------------------|--|
| Wheelbags                     |  |
| Carbon brake pads             |  |
| Valve extender                |  |
| Computer magnet (front wheel) |  |

**Specifications****RIMS**

- **Material** : 100% woven 12K carbon fiber
- **Color** : carbon
- **Height** : 40 mm, rear asymmetrical
- **Drilling** : no holes, spokes molded to the rim
- **Brake track** : carbon
- **Valve hole diameter** : 6.5 mm
- **Tyre** : tubular
- **ETRTO size** : 28" tubular
- **Recommended tyre sizes** : 19 to 28 mm

**SPOKES**

- **Material** : unidirectional carbon fiber
- **Shape** : R2R
- **Color** : carbon
- **Nipples** : brass, ABS
- **Count** : 20 front and rear
- **Lacing** : crossed 2 front and rear drive side, radial non drive side

**WHEEL HUB**

- **Front body** : Front 100% carbon
  - **Rear body** : aluminum
  - **Color** : front carbon, rear black
  - **Front axle material** : aluminum
  - **Rear axle material** : titanium and aluminum
- QRM+  
FTS-L steel

**WHEEL WEIGHTS**