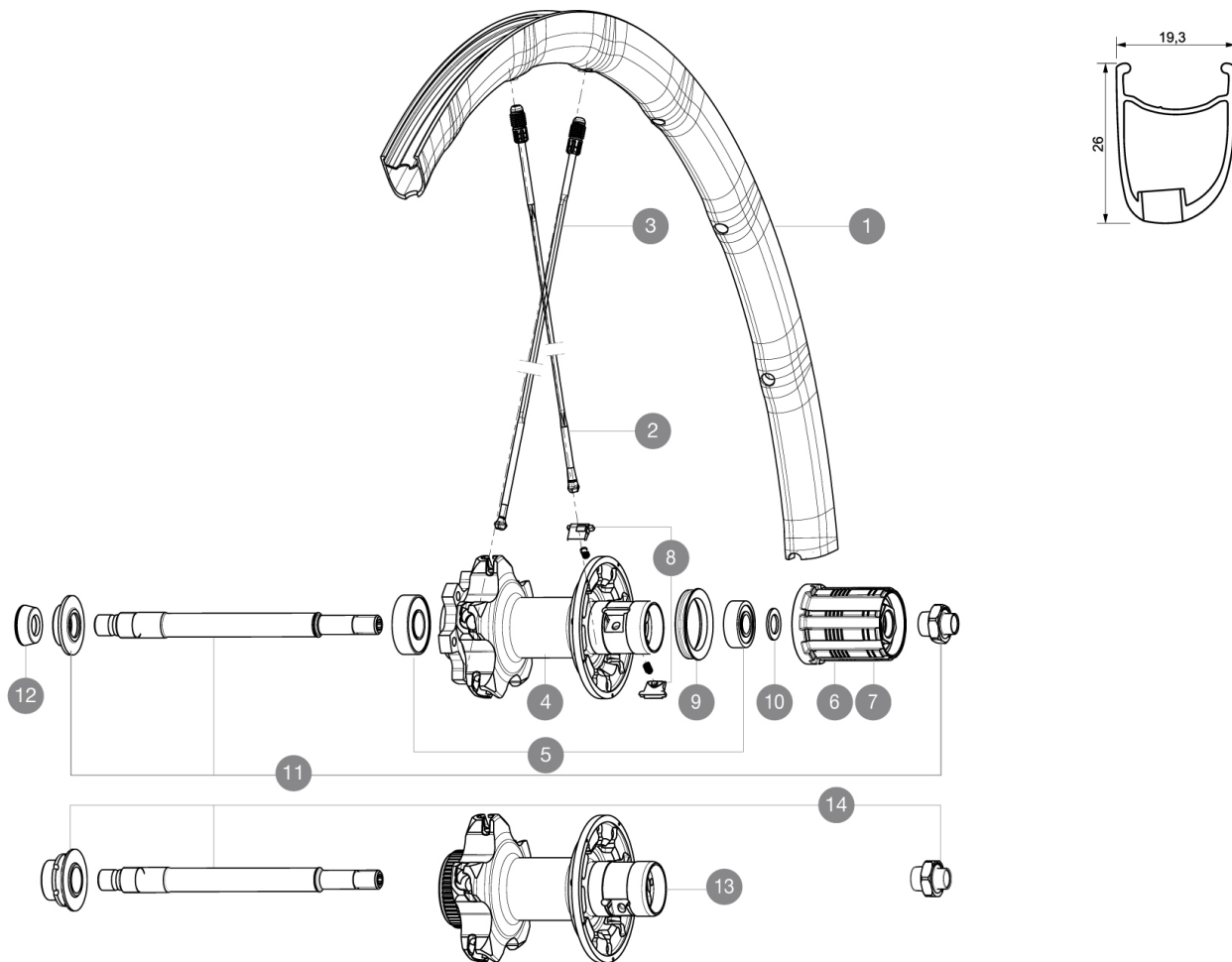


## REFERENCES WHEELS

R37201 Ksyrium Pro Disc Rr CL

R16501 Ksyrium Pro Disc Rr INT



## RIMS



VALVE HOLE  $\bar{A}$  (MM): 6.5 :

1 V2290613 KIT REAR RIM KSYRIUM PRO DISC

## SPOKES

2 V2270501 KIT 12 DS KSY PRO/PRO DISC/SL C/PRO EXA SPK 273,5mm  
3 12029401 KIT REAR AXLE R-SYS SL/SLR CLINC BLK SPK 294,5mm

## HUB SHELLS

4 N/A HUB BODY  
5 V2540101 REAR HUB B9+6001 BEARINGS 2015  
6 30871101 FTS-L ROAD FREEWHEEL BODY HG11 8/9 compatible  
7 30871201 FTS-L ROAD FREEWHEEL BODY ED11 8/9 compatible  
8 M40578 FTSL PAWLS KIT (ROAD WHEELS)  
9 99500001 FTSL/FTSX FREEHUB BODY SEAL  
10 30872801 SET OF 3 INTERNAL SILVER SPACERS 9mm FTS-L  
11 V2250601 KIT REAR AXLE KSYRIUM PRO DISC 6T  
13 N/A HUB BODY  
14 V2250401 KIT REAR AXLE KSYRIUM PRO DISC CL

## ADAPTERS

12 35117301 FT/RR FORK REST R-SYS/CC ULTIMATE > 2013/KSY PRO CARB T

# MAVIC Ksyrium Pro Disc

## DELIVERED WITH

BX601 quick releases	
Front QR adapters	
Specific disc bolts	
Computer magnet (front wheel)	
Multifonction adjustment wrench	
User guide	

## Specifications

### RIMS

- **Material** : Mxtral
  - **Height** : 26mm, asymmetrical
  - **Joint** : SUP
  - **Drilling** : Fore
- Disc brake specific profile
- **Weight reduction** : ISM4D
  - **Valve hole diameter** : 6.5 mm
  - **Tyre** : clincher
  - **ETRTO size** : 622x15C
  - **Recommended tyre sizes** : 19 to 32 mm

### SPOKES

- **Material** : Zicral
- **Shape** : straight pull, bladed
- **Nipples** : Fore integrated aluminum
- **Count** : 20 front and rear
- **Lacing** : front crossed 2, rear Isopulse

### WHEEL HUB

- **Front body** : carbon with aluminum flanges
  - **Rear body** : aluminum
  - **Axle material** : aluminum
- Adjustable sealed cartridge bearings
- **Freewheel** : FTS-L steel

### WHEEL WEIGHTS

Wheel weight 855