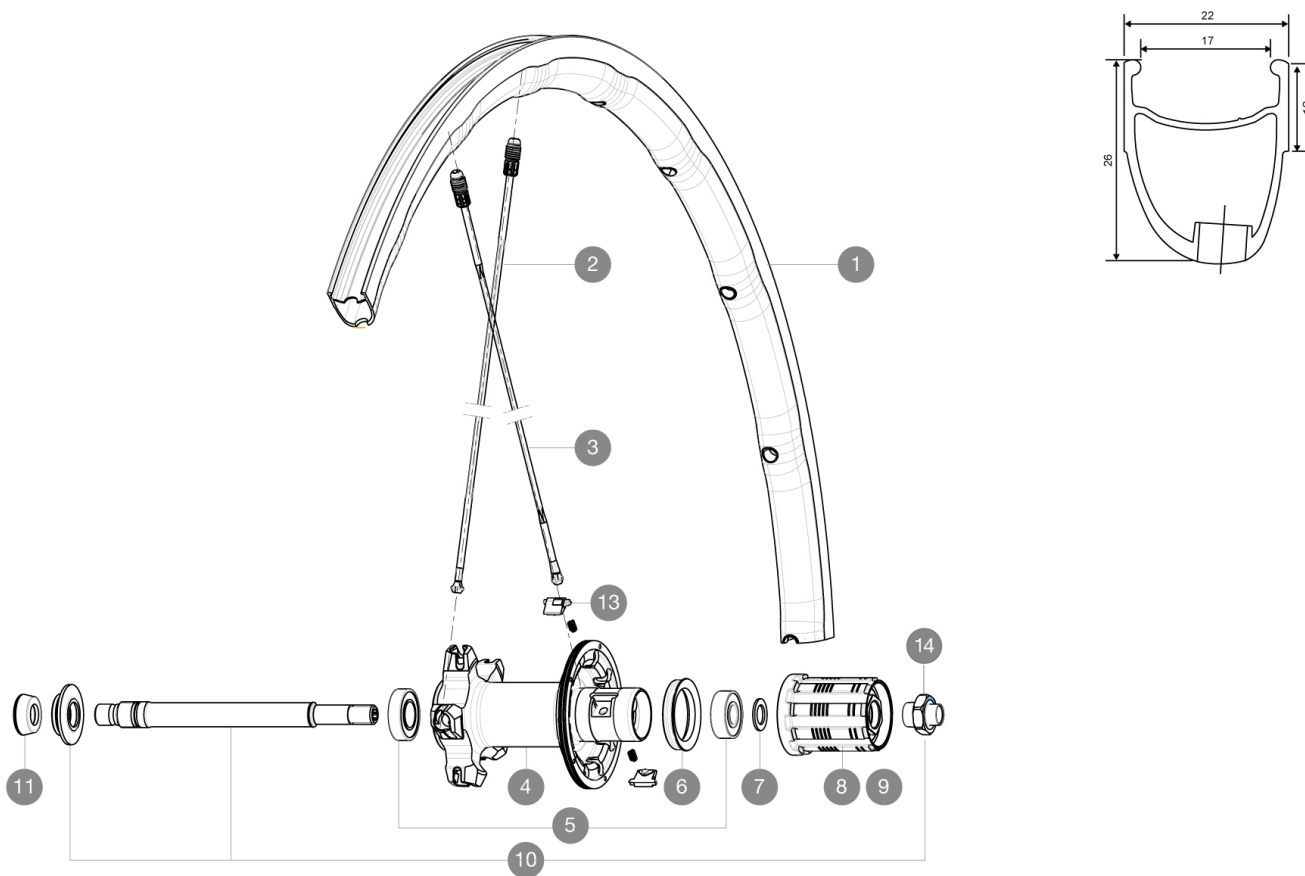


ASTM CATEGORY 2 : road and offroad with jumps less than 15cm
Recommended weight limit : 120kg
Recommended tyre sizes: 25 to 52 mm
Max. Pressure: 25mm 7.7 bars - 110 PSI

REFERENCES WHEELS

| | | | |
|--------|----------------|--------|------------------------|
| R66801 | Ksyrium Pro Rr | R98431 | Ksyrium Pro Rr Limited |
|--------|----------------|--------|------------------------|



RIMS



VALVE HOLE \bar{A} (MM): 6,5 :

| | | |
|---|----------|------------------------------|
| 1 | V2405013 | KIT REAR RIM KSYRIUM PRO LTD |
| 1 | V2402113 | KIT REAR RIM KSYRIUM PRO |

SPOKES

| | | |
|---|----------|---|
| 2 | V2277501 | KIT 10 NDS KSY PRO/PRO EXALITH/HR 296mm SPK |
| 3 | V2272801 | KIT 1 FT 282.5/1 RR 273.5 KSYRIUM PRO LTD SPK |
| 3 | V2270501 | KIT 12 DS KSY PRO/PRO DISC/SL C/PRO EXA SPK 273,5mm |

HUB SHELLS

| | | |
|----|----------|---|
| 4 | N/A | HUB BODY |
| 4 | N/A | HUB BODY |
| 5 | 33000001 | REAR HUB B9+6901 BEARINGS 2013 |
| 6 | 99500001 | FTSL/FTSX FREEHUB BODY SEAL |
| 7 | 30872801 | SET OF 3 INTERNAL SILVER SPACERS 9mm FTS-L |
| 8 | 30871101 | FTS-L ROAD FREEWHEEL BODY HG11 8/9 compatible |
| 9 | 30871201 | FTS-L ROAD FREEWHEEL BODY ED11 8/9 compatible |
| 10 | V2250501 | KIT REAR AXLE KSYRIUM SLE/SL/ELITE/PRO EXALITH/ALLROAD ELIT |
| 13 | M40578 | FTSL PAWLS KIT (ROAD WHEELS) |
| 14 | V2373101 | KIT NUT FOR ROAD ALLOY THROUGH AXLE 9mm |

ADAPTERS

| | | |
|----|----------|---|
| 11 | 35117301 | FT/RR FORK REST R-SYS/CC ULTIMATE > 2013/KSY PRO CARB T |
|----|----------|---|

MAVIC Ksyrium Pro

DELIVERED WITH

| | |
|---------------------------------|--|
| BR601 quick releases | |
| BR601 quick releases | |
| Multifonction adjustment wrench | |
| User guide | |
| Multifonction adjustment wrench | |
| User guide | |

COMPATIBILITY

| | |
|--|--|
| Freewheel: Shimano/Sram, convertible to Campagnolo with optional driver body | |
| Front axle: Quick Release only | |
| Rear axle: Quick Release only | |

Specifications

RIMS

- **Material** : Mxtral
- **Height** : front 24mm, rear 26 asymmetrical
- **Joint** : SUP
- **Drilling** : Fore
- **Brake track** : UB Control
- **Weight reduction** : ISM 4D
- **Valve hole diameter** : 6.5 mm
- **Tyre** : clincher
- **Material** : Mxtral
- **Height** : front 24mm, rear 26 asymmetrical
- **ETRTO size** : 622x17C
- **Recommended tyre sizes** : 25 to 52 mm
- **Joint** : SUP
- **Drilling** : Fore
- **Brake track** : UB Control
- **Weight reduction** : ISM 4D
- **Valve hole diameter** : 6.5 mm
- **Tyre** : clincher
- **Internal width** : 17 mm
- **ETRTO size** : 622x17C

SPOKES

- **Material** : Zicral
- **Shape** : straight pull, bladed, front double butted
- **Nipples** : Fore integrated aluminum
- **Count** : front 18, rear 20
- **Material** : Zicral
- **Lacing** : front radial, rear Isopulse
- **Shape** : straight pull, bladed, front double butted
- **Nipples** : Fore integrated aluminum
- **Count** : front 18, rear 20
- **Lacing** : front radial, rear Isopulse

WHEEL HUB

- **Front body** : carbon with aluminum flanges
 - **Rear body** : aluminum
 - **Rear body** : aluminum
 - **Axle material** : aluminum
- Adjustable sealed cartridge bearings
- **Front body** : carbon with aluminum flanges
 - **Freewheel** : FTS-L steel
 - **Axle material** : aluminum
- Adjustable sealed cartridge bearings
- **Freewheel** : FTS-L steel

VERSIONS

- **Color** : Black only

WHEEL WEIGHTS

Wheel weight 845