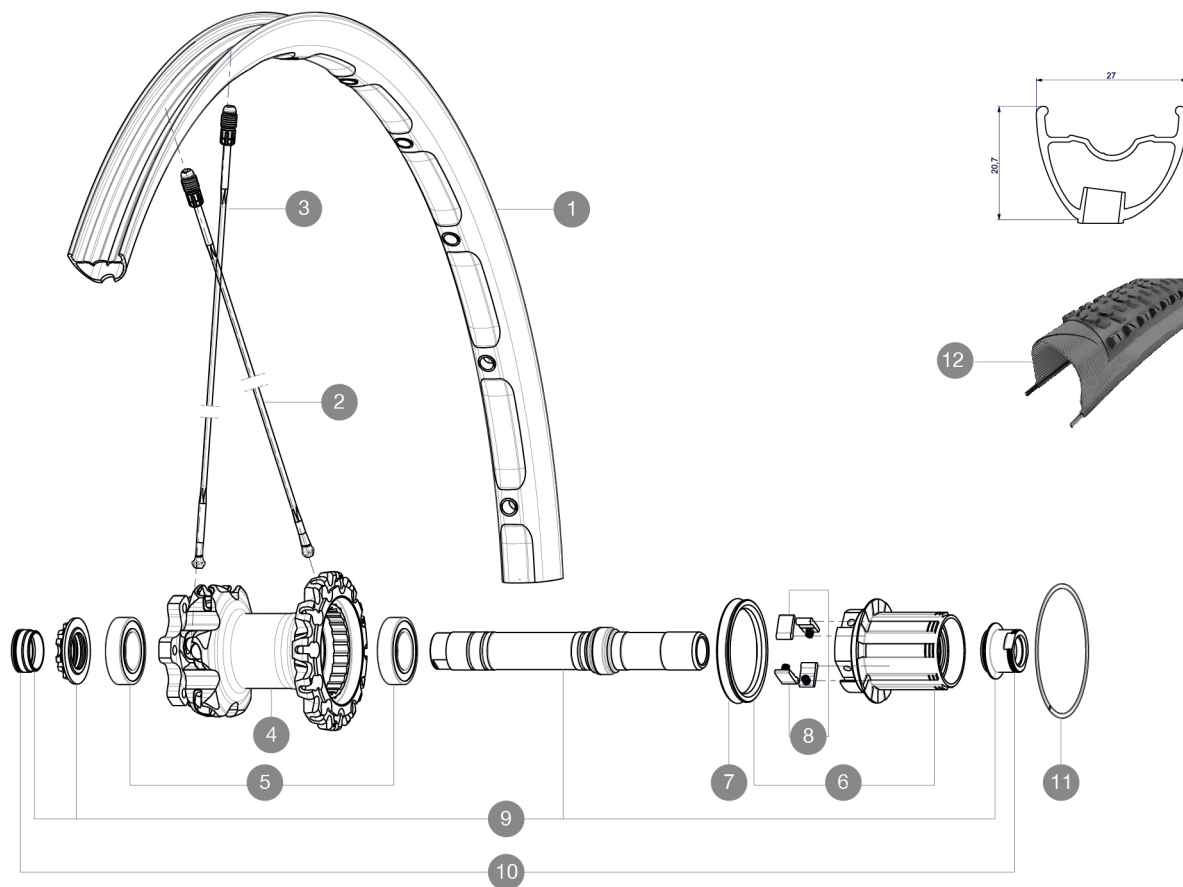


ASTM CATEGORY 4 : offroad with jumps less than 122cm
Recommended weight limit : 120kg

REFERENCES WHEELS

R78901 XmxLPro27.5RrXD WTS

R59701 XmaxXLPro27.5RrWTS



RIMS



VALVE HOLE (MM): 6,5 :

1 V2311113 KIT REAR RIM CROSSMAX XL 2015 27,5"

SPOKES

2 36675101 "KIT 10 DS XMAX SLR/END/PRO/DEEMAX PRO 27,5"" SPK 251,5mm"
3 36674901 KIT 12 FT XMAX END/FT-NDS DEEMAX PRO 27,5" ALU SPK 275mm

HUB SHELLS

4 N/A HUB BODY
5 M40076 HUB BEARINGS 17x30x7 6903 x 2
6 35126001 ITS-4 FREEWHEEL BODY + SEAL 2013 (NO PAWLS)
7 99610701 ITS-4 FREEWHEEL SEAL
8 99610601 PAWLS KIT FOR ITS-4 (OR TS-2)
9 30870401 REAR QRM + AXLE KIT ITS4 135mm from 2012
11 30871801 ELASTIC RING 56mm diam. ITS-4 20 SPOKES

ADAPTERS

10 30872201 FRAME SUPPORT ITS-4 135mm REAR AXLE > 2012

MAVIC *Crossmax XL Pro WTS 27.5***DELIVERED WITH**

BX601 rear quick release	
1 bottle of Mavic Sealant	
UST valve and accessories	
Front 15 mm adapters	
Rear QR adapters	
Rear 12x142mm adapters	
Multifonction adjustment wrench	
User guide	

Specifications**RIMS**

- **Material** : Mactal
- **Drilling** : Fore
- **Weight reduction** : ISM
- **Tyre** : UST Tubeless and tubetype
- **Internal width** : 23 mm
- **ETRTO size 26"** : 559x23C
- **ETRTO size 27.5"** : 584x23C
- **ETRTO size 29"** : 622x23C
- **ETRTO recommended tyre sizes** : 37mm to 76mm (1.5" to 3.0")

SPOKES

- **Material** : Zicral
- **Shape** : straight pull, bladed
- **Nipples** : Fore integrated aluminum
- **Count** : 24 front and rear
- **Lacing** : front crossed 2, rear Isopulse

WHEEL HUB

- **Front and rear bodies** : aluminum
 - **Axle material** : aluminum
- Adjustable sealed cartridge bearings
- **Freewheel** : ITS-4 alloy
- Shimano 11 speeds compatible
Sram XD Compatible (XX1-X01) with optional kit

WHEEL WEIGHTS

Wheel weight
 Weight Rear 26": 870
 Weight Rear 27.5": 895
 Weight Rear 29": 930