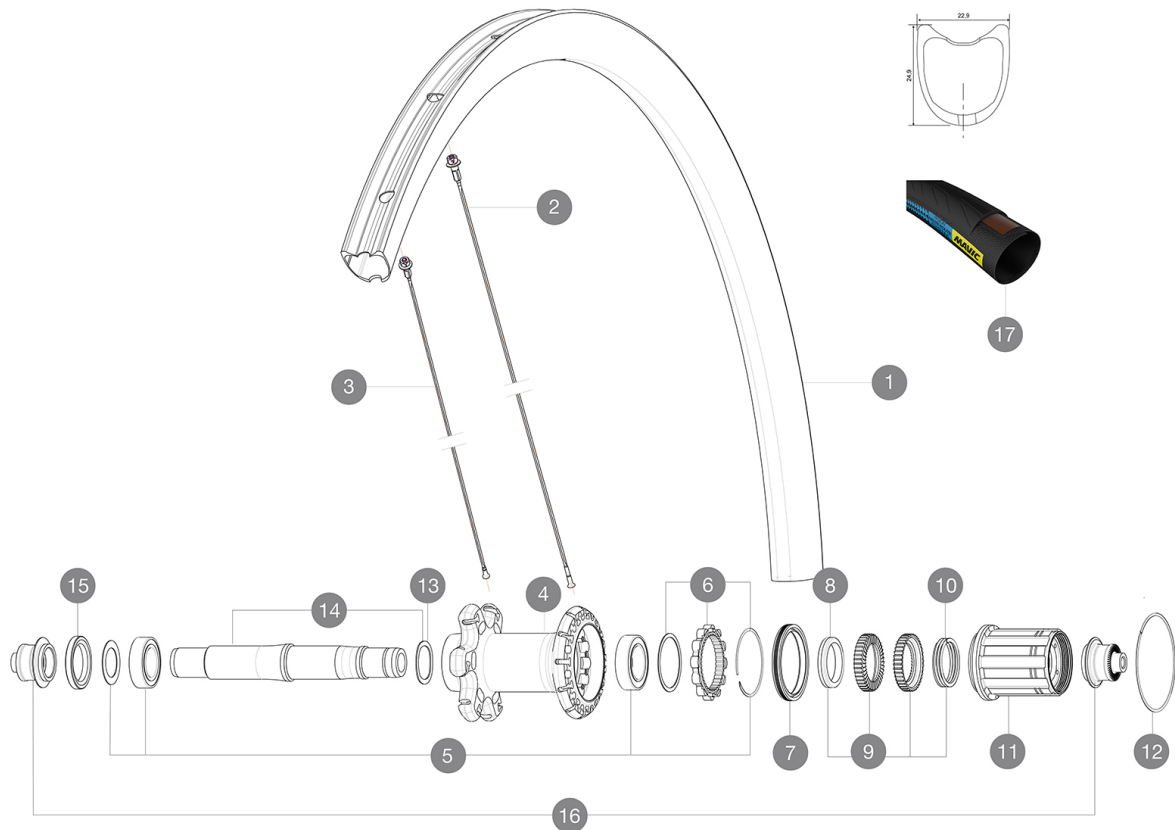


MAVIC Ksyrium Pro Carbon SL T HR

ASTM CATEGORY 2 : road and offroad with jumps less than 15cm
 Recommended weight limit : 120kg
 Recommended tire sizes: 25 to 32 mm
 Max. Pressure: 25mm 7.7 bars - 110 PSI

REFERENCES WHEELS

R98341 KsyProCarbSLT HR Rr SV



RIMS



VALVE HOLE \bar{A} (MM): 6,5 :

1	V2730213	KIT REAR RIM KSYRIUM PRO CARBON SL TUB HR
---	----------	---

SPOKES

2	V3663301	KIT 12 FRT KSYR PRO CARB SL UST Disc + NDS KSYR PRO CARB SL
2	V2271501	KIT 12 FT KSY PRO CARB SL D/NDS KSY PRO CARB SL SPK 291mm -
3	V3663201	KIT 12 DS KSY PRO CARB SL UST/UST Disc/C Disc/T Disc BUTTED
3	V2271401	KIT 12 DS KSYRIUM PRO CARB SL T SPOKE 273mm - while stock la
3	V2273101	KIT 1 FT 285/1 FT 291/1 DS 273 KSY PRO CARB SL C/D/T HR SPK

HUB SHELLS

4	N/A	HUB BODY
5	V2540301	KIT REAR BEARINGS 17x28x7 + 15x26x7 CERAMIC - while stock la
5	V2560101	KIT ID360 BEARINGS 15/26/7 + 17/28/7
6	V2252701	KIT ID360 INSERT SHAPED EAR LOBE > 2017
7	V2251601	KIT ID360 SEAL + GREASE
8	V2500501	KIT ID360 3 PADS NOISE REDUCING
9	V2251701	KIT ID360 2 RATCHETS + SPRING + GREASE
10	V2251801	KIT 3 ID360 ROAD SPRINGS
11	V3430101	HG11 Freewheel Body ID360
12	V2252201	KIT 2 REAR HUB RETENTION RINGS 48mm
13	V2251501	KIT 3 ID360 WAVE WASHERS
14	V2251201	KIT ID360 AXLE UB
15	V2251001	KIT ID360 HUB THREADED CAP UB+DISC 6 BOLTS (large) - while s

TYRES



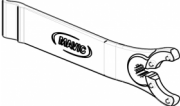

17	39435825	YksionProPowerLink HRTubular
----	----------	------------------------------

ADAPTERS

16	B4989401	ADAPTER Rr 9mm QR ID360 (6bolt)
----	----------	---------------------------------

MAVIC Ksyrium Pro Carbon SL T HR

DELIVERED WITH

BR601 quick releases (V24 501 01 frt, V24 502 01 rear) 1	
Carbon brake pads (V24 603 01 Shimano/Sram, V24 604 01 Campagnolo) 1 pair	
Multifunction adjustment wrench (325 423 01) 1	
"Haute Route" special edition wheelbags 1	
User guide	

COMPATIBILITY

Freewheel: Shimano/Sram or Campagnolo, convertible to XD-R with optional driver body	
Front axle: Quick Release only	
Rear axle: Quick Release only	

Specifications

RIMS

- **Material** : 3K carbon fibers
- **Height** : 25mm
- **Drilling** : traditional
- **Brake track** : carbon with TgMAX technology
- **Brake track** : carbon
- **Valve hole diameter** : 6.5 mm
- **Tire** : tubular
- **ETRTO size** : 28" tubular

SPOKES

- **Material** : steel
- **Shape** : straight pull, bladed, double butted
- **Nipples** : aluminum, ABS
- **Count** : front 18, rear 24
- **Lacing** : front radial, rear Isopulse

WHEEL HUB

- **Front and rear bodies** : aluminum
 - **Axle material** : aluminum
- High quality ceramic bearings by CeramicSpeed (R)
- **Freewheel** : Instant Drive 360

VERSIONS

- **Color** : Black only

WHEEL WEIGHTS

Wheel weight 675