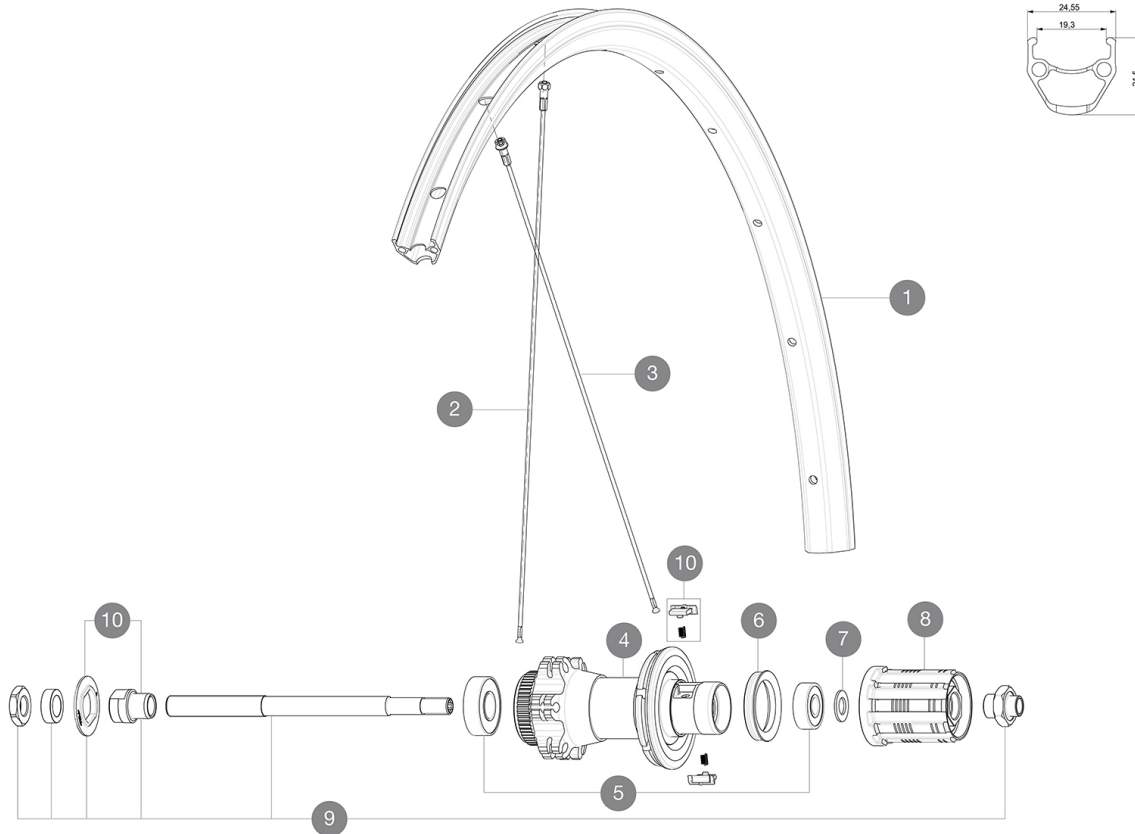


**MAVIC** **Aksium Disc Allroad 700**

ASTM CATEGORY 2 : road and offroad with jumps less than 15cm  
 Recommended weight limit : 120kg  
 Recommended tire sizes: 25 to 32 mm  
 Recommended tyre sizes: 28 to 42 mm  
 Max. Pressure: 30mm 5.8 bars - 85 PSI / 40mm 4.5 bars - 65 PSI

**REFERENCES WHEELS**

R99041 AksAIRDCL700RrQRx135 M11

**RIMS**

&amp;NBSP;:

|   |          |                                       |
|---|----------|---------------------------------------|
| 1 | V2730315 | KIT FRONT/REAR RIM AKSIUM ALLROAD 700 |
|---|----------|---------------------------------------|

**SPOKES**



|   |          |   |
|---|----------|---|
| 2 | V2383001 | KIT 12 FT/NDS CROSSRIDE FT SX 29" SPK 297mm |
| 3 | V2276401 | KIT 12 DS AKSIUM DISC ALLR 700 9 SPK 295mm  |

**HUB SHELLS**

|    |          |   |
|----|----------|---|
| 5  | M40660   | REAR HUB 608+6001 BEARINGS                    |
| 6  | 99500001 | FTSL/FTSX FREEHUB BODY SEAL                   |
| 7  | M40067   | INTERNAL FREEWHEEL SPACER FTSL/FTSX           |
| 8  | 30871101 | FTS-L ROAD FREEWHEEL BODY HG11 8/9 compatible |
| 9  | 99603901 | REAR AXLE QRM ROAD 2008                       |
| 10 | 99603801 | SHORT EXPENSIBLE BEARING SUPPORTS > 2008      |

# MAVIC Aksium Disc Allroad 700

## DELIVERED WITH

|   |   |
|---|---|
| BR101 quick releases<br>(M40350 firt, M40351 rear road, M40352 rear MTB)<br>1 |  |
| BR101 quick releases<br>(M40350 firt, M40351 rear road, M40352 rear MTB)<br>1 |  |
| Rim tape  |   |
| Rim tape  |   |
| User guide  |   |
| User guide  |   |

## COMPATIBILITY

|  |  |
|--|--|
| Freewheel: Shimano/Sram, convertible to Campagnolo with optional driver body |  |
| Freewheel: Shimano/Sram, convertible to Campagnolo with optional driver body |  |
| Front axle: Quick Release only   |  |
| Front axle: Quick Release only   |  |
| Rear axle: Quick Release only  |  |
| Rear axle: Quick Release only  |  |

## Specifications

### RIMS

- **Material** : S6000 Aluminum
- **Material** : S6000 Aluminum
- **Height** : 21 mm
- **Height** : 21 mm
- **Joint** : pinned
- **Joint** : pinned
- **Drilling** : traditional with H2 reinforcement
- **Drilling** : traditional with H2 reinforcement
- Disc brake specific profile
- Disc brake specific profile
- **Valve hole diameter** : 6.5 mm
- **Valve hole diameter** : 6.5 mm
- **Tire** : clincher
- **Tire** : clincher
- **Internal width** : 19 mm
- **Internal width** : 19 mm
- **ETRTO size** : 622x19C
- **ETRTO size** : 622x19C

### SPOKES

- **Material** : steel
- **Material** : steel
- **Shape** : straight pull, round
- **Shape** : straight pull, round
- **Nipples** : steel, ABS
- **Nipples** : steel, ABS
- **Count** : 24 front and rear
- **Count** : 24 front and rear
- **Lacing** : front and rear crossed 2
- **Lacing** : front and rear crossed 2

### WHEEL HUB

- **Front and rear bodies** : aluminum
- **Front and rear bodies** : aluminum
- **Axle material** : steel
- **Axle material** : steel
- **Front bearings** : sealed cartridge bearings (QRM), Rear bearings auto adjust sealed cartridge bearings (QRM Auto)
- Sealed cartridge bearings
- **Freewheel** : FTS-L steel
- **Freewheel** : FTS-L steel

### VERSIONS

- **Color** : Black only
- **Color** : Black only
- **Disc standard** : 6 Bolts or Center Lock(R)
- **Disc standard** : 6 Bolts or Center Lock(R)

### WHEEL WEIGHTS

Wheel weight 1105