

MAVIC *Crossmax Pro Carbon*

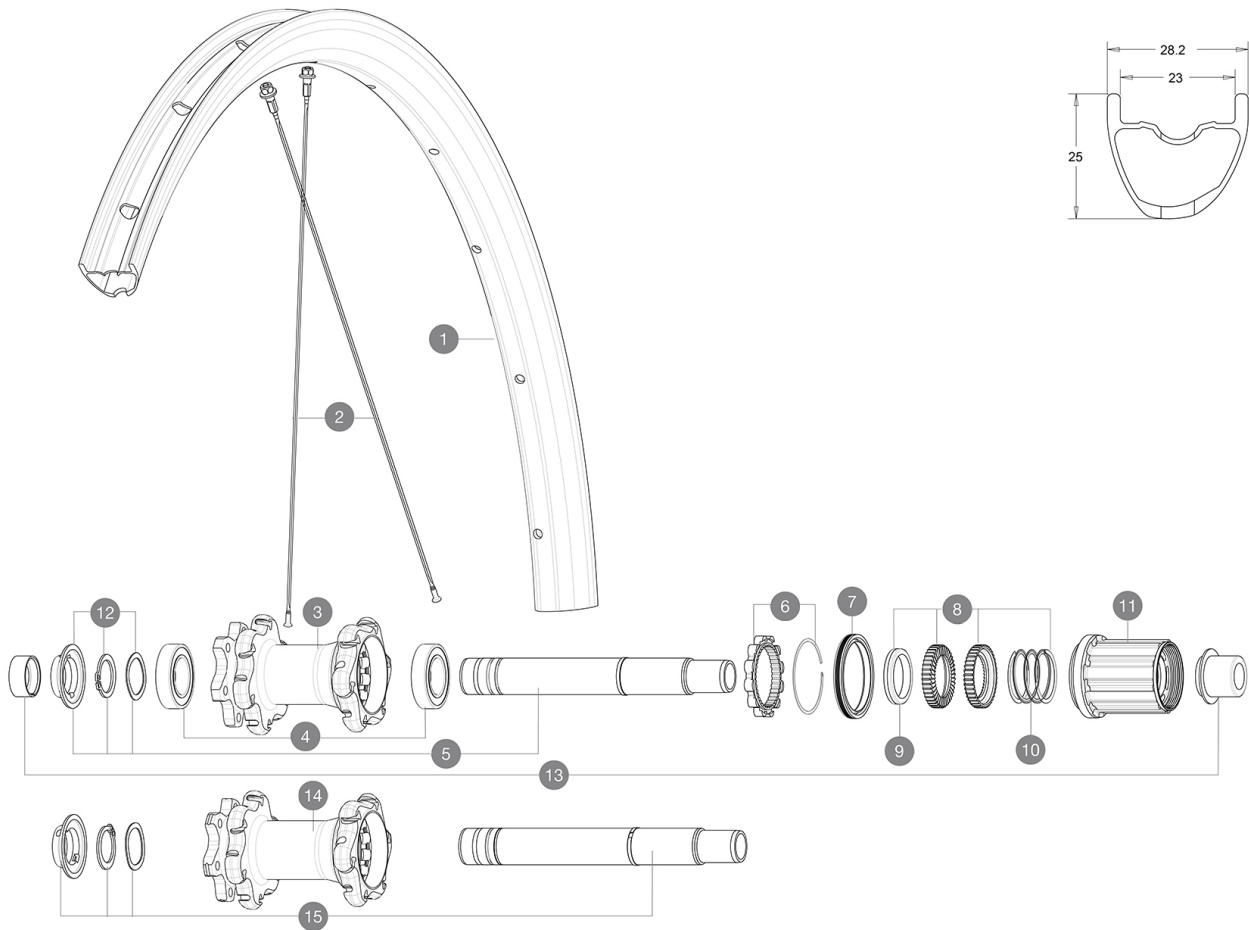
ASTM CATEGORY 3 : CROSS COUNTRY AND TRAIL RIDING

For a longer longevity of the wheel, Mavic recommends that the total weight supported by the wheels don't exceed 120kg, bike included

Recommended tyre sizes: 46mm to 64mm (1.8" to 2.5") front and 36 mm to 64 mm (1.4" to 2.5") rear

REFERENCES WHEELS

R23541	XmaxProCarb 27,5 19 Rr XD	R23561	XmaxProCarb 27,5 19 Rr BoostXD
R23551	XmaxProCarb 27,5 19 Rr Boost	R23531	XmaxProCarb 27,5 19 Rr

**RIMS**

&NBSP;:

1	V3763913	KIT REAR RIM CROSSMAX PRO CARBON 27,5" 19
	V2700101	UST Tape 28mm for 25 to 27mm wide rims

SPOKES

2	V3821701	KIT 12 FRT/REAR CROSSMAX PRO CARBON 27,5" EXTRA FLAT SPOKE
----------	----------	--

HUB SHELLS

3	N/A	HUB BODY
4	M40076	HUB BEARINGS 17x30x7 6903 x 2
5	V2372101	KIT ID360 135/142 D6T AXLE WITH CLIP
6	V2252701	KIT ID360 INSERT SHAPED EAR LOBE > 2017
7	V2251601	KIT ID360 SEAL + GREASE
8	V2375201	KIT ID360 24 TEETH 2 RATCHET + MTB SPRING + PAD (specific)
9	V2375401	KIT ID360 MTB 24T 3 NOISE REDUCING PADS
10	V2372901	KIT 3 ID360 MTB SPRINGS
11	V3740101	XD MTB Freewheel Body ID360
11	V3780101	HG9 Alloy MTB Freewheel Body ID360
12	V2373001	KIT ADJUST. SYSTEM QRM AUTO ID360 for 17x30x7 bearing
14	N/A	HUB BODY
15	V2372201	KIT ID360 148 D6T AXLE WITH CLIP

OPTIONS


V2372801	KIT ID360 2x40 TEETH RATCHETS + MTB SPRING + GREASE + PAD
----------	---

ADAPTERS

13	V2510701	ID360V2RrAxleAdapt12x142/148
	V2510801	ID360 V2 RrAxleAdapt9x135

MAVIC Crossmax Pro Carbon

DELIVERED WITH

Front QR adapters (non-boost wheel)	
Rear QR adapters (non-boost wheel)	
UST valve and accessories (129 838 01)	
Tubeless rim tape	
Multifunction adjustment wrench (325 423 01)	
User guide	

COMPATIBILITY

Freewheel: Shimano/Sram or XD	
Front axle: convertible from 15mm thru axle to Quick Release with adapters (delivered with non-boost wheel)	
Rear axle: 12mm thru axle, convertible to Quick Release with adapters (delivered with non-boost wheel)	
Freewheel: Shimano Micro Spline	

Specifications

RIMS

- **Material** : 100% Unidirectional carbon fiber
- **Drilling** : traditional
- **Valve hole diameter** : 6.5 mm
- **Tyre** : UST Tubeless and tubetype
- **Internal width** : 23 mm
- **ETRTO size 27.5"** : 584x23TSS
- **ETRTO size 29"** : 622x23TSS

Hookless profile

Use with Mavic Tubeless Tape

SPOKES

- **Material** : steel
- **Shape** : straight pull, flat, double butted
- **Count** : 24 front and rear
- **Lacing** : front and rear crossed 2

WHEEL HUB

- **Front and rear bodies** : aluminum
- **Axle material** : aluminum
- Auto adjust sealed cartridge bearings (QRM Auto), front and rear
- **Freewheel** : Instant Drive 360

VERSIONS

- **Disc standard** : 6 Bolts only
- **Hub width** : Boost (front 110, rear 148) or Non-Boost (front 100, rear 135/142)
- **Freewheel** : Shimano/Sram or XD

WHEEL WEIGHTS

Weight Rear 27.5": 770
Weight Rear 29": 810